

BVM CORPORATION

2021 Product Catalog

www.bvmcorp.com
sales@bvmcorp.com



Tubular Handling Equipment proudly made in the USA

API 8C License

Certificate of Authority to use the Official API Monogram

License Number: 8C-0307

ORIGINAL



**American
Petroleum
Institute**



2018-151 | Digital

The American Petroleum Institute hereby grants to

BVM CORPORATION
430 South Navajo Street
Denver, CO

the right to use the Official API Monogram® on manufactured products under the conditions in the official publications of the American Petroleum Institute entitled API Spec Q1® and **API-8C** and in accordance with the provisions of the License Agreement.

In all cases where the Official API Monogram is applied, the API Monogram shall be used in conjunction with this certificate number: **8C-0307**

The American Petroleum Institute reserves the right to revoke this authorization to use the Official API Monogram for any reason satisfactory to the Board of Directors of the American Petroleum Institute.

The scope of this license includes the following: Casing, Tubing, Drill Pipe and Drill Collar Elevators, Elevator Links, Kelly Spinners, if Capable of Being Used as Hoisting Equipment, Spiders, if Capable of Being Used as Elevators at PSL 1, PSL 2

QMS Exclusions: No Exclusions Identified as Applicable

Effective Date: **JANUARY 31, 2020**

Expiration Date: **JANUARY 31, 2023**

To verify the authenticity of this license, go to www.api.org/compositelist.

Vice President of Global Industry Services

API 7K License

Certificate of Authority to use the Official API Monogram

License Number: 7K-0500

ORIGINAL



**American
Petroleum
Institute**



2018-151 | Digital

The American Petroleum Institute hereby grants to

BVM CORPORATION
430 South Navajo Street
Denver, CO

the right to use the Official API Monogram® on manufactured products under the conditions in the official publications of the American Petroleum Institute entitled API Spec Q1® and **API-7K** and in accordance with the provisions of the License Agreement.

In all cases where the Official API Monogram is applied, the API Monogram shall be used in conjunction with this certificate number: **7K-0500**

The American Petroleum Institute reserves the right to revoke this authorization to use the Official API Monogram for any reason satisfactory to the Board of Directors of the American Petroleum Institute.

The scope of this license includes the following: Rotary Slips, Spiders, Manual Tongs and Safety Clamps not used as Hoisting Devices

QMS Exclusions: No Exclusions Identified as Applicable

Effective Date: **JANUARY 31, 2020**

Expiration Date: **JANUARY 31, 2023**

Vice President of Global Industry Services

To verify the authenticity of this license, go to www.api.org/compositelist.

ISO 9001:2015 License



Orion Registrar, Inc.
Thorough and Fair Auditing

Certificate of Certification

This is to certify the Quality Management System of:

BVM Corporation
430 South Navajo
Denver, CO 80223 USA

Has been assessed by Orion Registrar and found to be in compliance with the following Quality Standard:

ISO 9001:2015

The Quality Management System is applicable to:

General Manufacturing and Repair of Industrial, Hoisting and Well Servicing Equipment for the Oil and Gas Industry and Other Commercial Applications

The Certification period is from
June 11, 2019 to June 28, 2022

This certification is subject to the company maintaining its system to the required standard, and applicable exceptions, which will be monitored by Orion.

Client ID: 3994

Certificate ID: 1016633




Paul M. Burck, President June 11, 2019
Date



7502 W. 80th Avenue, Suite 225, Arvada, Colorado 80003 | 303-456-6010 | FAX 303-456-6681 | www.orion4value.com
To authenticate this certificate, please visit: www.orion4value.com/about-orion/registered-companies/

THIS PAGE INTENTIONALLY LEFT BLANK

Table of Contents

About us	8
Load Testing, Repair & Recertification.....	9
Equipment Overview.....	9
Sucker Rod Elevator (20 Ton).....	10
Single Joint Elevators (7.5 Ton)	12
TA Elevators.....	14
RA, MAA, AA Elevators.....	20
18° G Type Elevators	24
Side Door SLX Elevators.....	26
SLX Elevator Bore Codes	28
SLX Elevator Bore Codes	29
SLX Elevator Bore Codes	30
Side Door SX Elevators	32
LYT Slip Type Elevator (20 ton).....	36
MYT Slip type Elevator (40 ton)	38
YT Slip type Elevator (75 ton).....	40
HYT Slip type Elevator (150 ton)	42
YC Slip type Elevator (75 ton).....	44
MYC Slip type Elevator (125 ton)	46
HYC Slip type Elevator (200 ton)	48
Tubing Spider - Type C – Pneumatic	50
200/250 ton Elevator Spider	52
350 ton Elevator / Spider	54
500 ton Elevator / Spider	56
750 ton Elevator / Spider	58
Hinged Casing Spider.....	60
Rotary Slips.....	62
Casing Slips – CMSXL.....	64
Conductor Pipe Slips – CP	64
Drill Collar Slips.....	66
UC-3 Slips	68
T Safety Clamps	70
C Safety Clamps.....	72
MP Safety Clamps	74

Table of Contents

MS Manual Tong (6,500 FT-LBS)	76
LF Manual Tong (14,000 FT-LBS)	78
C Manual Tong (35,000 FT-LBS)	80
B Manual Tong (55,000 FT-LBS)	82
B Casing Manual Tong (25,000 FT-LBS)	84
AAX Manual Tong (55,000 FT-LBS)	86
DB Manual Tong (65,000 FT-LBS)	88
H Manual Tong (80,000 FT-LBS)	90
SDD Manual Tong (100,000 FT-LBS)	92
Elevator Links (Bails)	94
Electro Weld (Perfection) Links	95
Link Extensions	95
Becket / Drill Collar Dolly	96
Pneumatic Kelly Spinner	98
Elevator Bore Codes	100
Terms, Conditions, & Warranty	104

About us

BVM Corporation has been in the business of manufacturing Oilfield Equipment for over 30 years. We continue to grow and expand our product offerings and markets, even through the challenging economical times and industry cycles. BVM corporation continues to improve on its equipment capabilities through technological advancements and engineering resources.

All of BVM's products are manufactured in the United States and are certified using the American Petroleum Institute guidelines. We market and sell our equipment globally. Our product line includes equipment for onshore and offshore Drilling, Well Servicing Rigs and Tubular Running Services (Casing/Tubing). We have in recent years concentrated on expanding our line to include equipment that can handle the larger sizes and heavier loads required for the extended drilling depths and multiple strings originating from a single drill site. We also continue to offer the smaller and lighter tools needed for onshore drilling and reworking of wells. We pride ourselves in offering Quality equipment at economical prices. We also offer the flexibility of a smaller company, able to make specialized sizes and configurations to meet our customers' special needs. Currently, we are adding new machinery and additional space to our factory to ensure increased production capacities.



Load Testing, Repair & Recertification

BVM is uniquely qualified to perform Load Testing, Repair, and Recertification on Elevators, Links, and Tongs. Our manufacturing plant based repair and recertification facility offers access to our supply of new parts, skilled and certified welders, load test technicians, and NDE inspectors. Our NDE inspectors are ASNT level II certified.

We utilize the same NDE testing, load testing, and certified welding procedures for recertification as we do for our new tools. Our sand blasting and factory paint booth ensure a factory new paint application after testing.

Equipment Overview

BVM Equipment is made in the USA and are built to meet or exceed API specification 8C / 7K. All load carrying components are made from high quality alloy heat treated steel and magnetic particle inspected. Per API, the below products are proof load tested to 1.5x the rating:

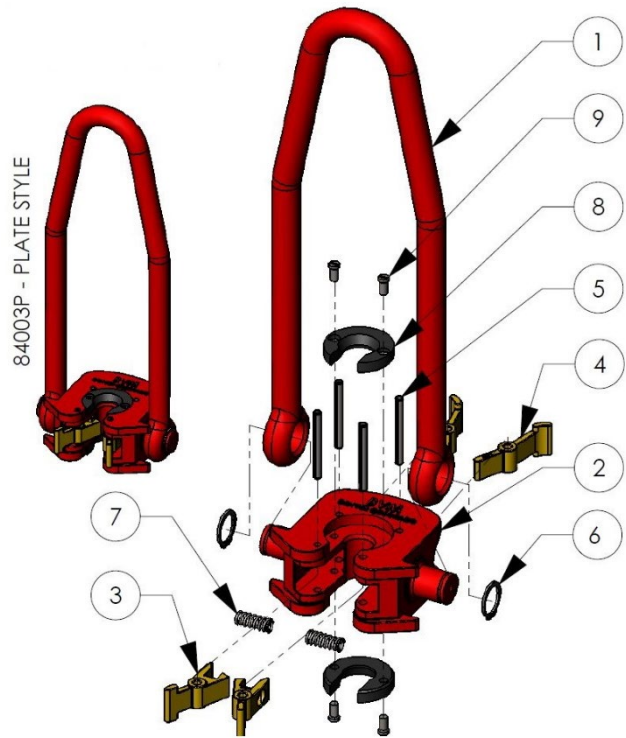
- Elevators
- Spiders
- Tongs
- Links (Bails)
- Slips (with SR1 request only)

All components come with complete certification including proof of load testing and an operations manual outlining operation instruction, maintenance, wear data, critical areas, and repair.

A complete SR3 data book is also available which includes material certifications, heat treatment records, NDE records, and load test certificate.

Sucker Rod Elevator (20 Ton)

SIZE	PART NO.	WEIGHT
5/8" - 3/4"	84001	30
3/4" - 7/8"	84002	30
1"	84003	30
1 1/8"	84004	30
1 1/4"	84005	30
5/8" - 1 1/8"	84003P	30
5/8" - 1 1/4"	84006P	30

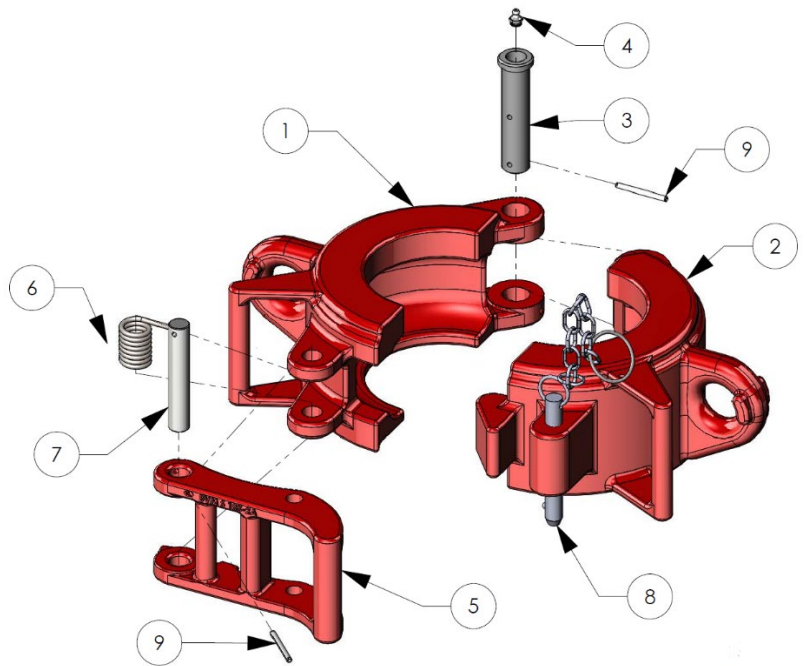


ITEM NO.	PART NO.	DESCRIPTION	QTY						
			84001	84002	84003	84004	84005	84003P	84006P
1	84010	BAIL	1	1	1	1	1	1	1
2	84001SR	SOLID BODY 5/8" - 3/4"	1	-	-	-	-	-	-
	84002SR	SOLID BODY 3/4" - 7/8"	-	1	-	-	-	-	-
	84003SR	SOLID BODY 1"	-	-	1	-	-	-	-
	84004SR	SOLID BODY 1 1/8"	-	-	-	1	-	-	-
	84005SR	SOLID BODY 1 1/4"	-	-	-	-	1	-	-
	84003SRP	PLATE STYLE 5/8" - 1 1/8"	-	-	-	-	-	1	-
	84006SRP	PLATE STYLE 5/8" - 1 1/4"	-	-	-	-	-	-	1
3	84015	FRONT LATCH	2	2	2	2	2	2	2
4	84011	BACK LATCH	2	2	2	2	2	2	2
5	40050-22-0	ROLL PIN	4	4	4	4	4	4	4
6	84017	SNAP RING	2	2	2	2	2	2	2
7	84012	SPRING	2	2	2	2	2	2	2
8	84018	ROD PLATE 5/8" - 3/4"	-	-	-	-	-	2	2
	84019	ROD PLATE 3/4" - 7/8"	-	-	-	-			
	84020	ROD PLATE 1"	-	-	-	-			
	84021	ROD PLATE 1 1/8" (1 1/4" Fiberglass)	-	-	-	-			
9	84022	ROD PLATE SCREW	-	-	-	-	-	4	4

THIS PAGE INTENTIONALLY LEFT BLANK

Single Joint Elevators (7.5 Ton)

PART NO.	SIZE	WEIGHT
TUBING & CASING		
283	2 3/8" - 5 1/2"	51
284	5 3/4" - 7 5/8"	65
285	8 5/8" - 9 7/8"	85
286	10 3/4" - 14"	115
287	16" - 20"	170
288	21 1/2" - 24 1/2"	283
289	24" - 30"	412
200	36"	690
184B (1 Ton)	1.050" - 6"	58
18° DRILL PIPE		
283	3 1/2" - 5"	52
284	5 1/2" - 6 5/8"	63
184B (1 Ton)	2 3/8" - 5 7/8"	58



ITEM NO.	PART NO.	DESCRIPTION	WEIGHT (LBS)
1	VAR	LEFT BODY	VAR.
2	VAR	RIGHT BODY	VAR.
3	S-183-1A	HINGE PIN FOR S183-S184 / S283-S284	1.0
	S-183-1B	HINGE PIN FOR S185-S188 / S285-S288	1.5
4	940308-1	GREASE FITTING	0.1
5	S-183-2A	LATCH FOR S183-S186 / S283-S286	1.7
	S-183-2B	LATCH FOR S187-S189 / S287-S289	2.0
6	S-183-3	LATCH SPRING	0.1
7	S-183-4	LATCH PIN	0.5
8	S-183-5	SAFETY PIN ASSEMBLY WITH CHAIN	0.4
8.1	S-183-5-1	CHAIN	-
8.2	S-183-5-2	QUICK RELEASE PIN	-
9	40030-16-0	ROLL PIN (Qty: 2)	-
10*	1006C-08-0	3/8" FLAT HEAD BOLT (Qty: 6)	0.1
-	S-190B-XXX^	BUSHING	VAR.
-	S-183-6	SWIVEL SUSPENSION ASY. W/ SHACKLES	29.0
-	S-183-7	SWIVEL SUSPENSION ASY.	25.0
-	183-SP	SPARE PART KIT (2 3/8" - 7 5/8")	-
-	185-SP	SPARE PART KIT (8 5/8" - 14")	-
-	187-SP	SPARE PART KIT (16" - 30")	-
-	184B-SP	SPARE PART KIT (BUSHING TYPE)	-

*Only for bushing-type elevator 184B

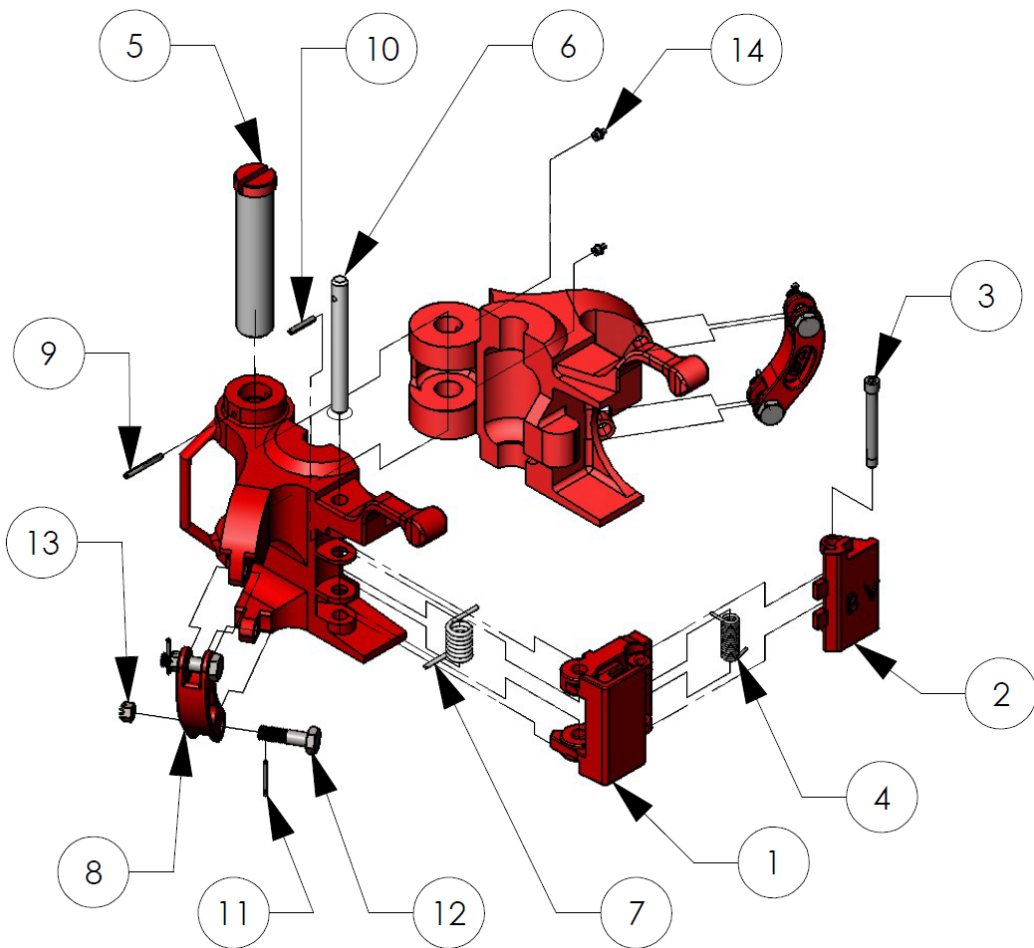
Single Joint Bore Codes

TUBING & CASING	
API SIZE	PART NO.
2 3/8	283-158
2 7/8	283-160
3 1/2	283-162
4	283-164
4 1/2	283-166
4 3/4	283-130
5	283-131
5 1/2	283-132
5 3/4	284-133
6	284-134
6 5/8	284-135
7	284-136
7 5/8	284-137
8 5/8	285-139
9	285-140
9 5/8	285-141
9 7/8	285-649
10 3/4	286-142
11 3/4	286-143
13 3/8	286-144
14	286-690
16	287-145
18 5/8	287-146
20	287-147
21 1/2	288-148
24 1/2	288-149
30	289-644
Bushing	184B

18° DRILL PIPE	
API SIZE	PART NO.
3 1/2 IU	183-119
3 1/2 EU	183-120
4 IU	183-121
4 EU & 4 1/2 IU	183-122
4 1/2 EU & 5 IEU	183-123
5 1/2 IU (FH)	184-124
5 1/2 EU (IF)	184-678
5 7/8	184-789
6 5/8 IEU	184-740

TA Elevators

PART NO.	RATING (TONS)	SIZE RANGE	SIZE OF LINKS	WEIGHT
32387	35	1.050" - 2 7/8"	7/8" - 1 3/4"	40
32385	65	1.660" - 2 7/8"	1 1/4" - 2 3/4"	65
32386	65	3 1/2" - 4 1/2"	1 1/4" - 2 3/4"	83
32383	100	2 3/8" - 2 7/8"	1 3/4" - 2 3/4"	125
32384	100	3 1/2" - 4 1/2"	1 3/4" - 2 3/4"	158
29960	100	5" - 8 5/8"	1 3/4" - 2 3/4"	352
32754	150	4 1/2" - 8 5/8"	1 3/4" - 3 1/2"	413
39342	150	8 1/2" - 11 3/4"	1 3/4" - 3 1/2"	545



TA ELEVATOR REPLACEMENT PARTS

ITEM NO.	DESCRIPTION	QTY	35 Ton	65 Ton	65 Ton	100 Ton
			1.050" - 2 7/8"	1.660" - 2 7/8"	3 1/2" - 4 1/2"	2 3/8" - 2 7/8"
-	BODY	1	32387L	32385L	32386L	32383L
-	DOOR	1	32387R	32385R	32386R	32383R
-	LATCH LOCK ASSEMBLY	1	32484	32382	32382	32382
1	LATCH	1	32446	32380	32380	32380
2	LATCH LOCK	1	32447-1	32381	32381	32381
3	LATCH LOCK PIN	1	36685	36208	36208	36208
4	LATCH LOCK SPRING	1	32483	32469	32469	32469
5	HINGE PIN	1	32917	32914	32916	32915-1
6	LATCH PIN	1	32424-4	32424-3	32424-2	32424-5
7	LATCH SPRING	1	32482	32470	32470	32470
8	LINK BLOCK	2	23404	32430	32430	32430
9	HINGE PIN RETAINER	1	40050-22-0	40040-18-0	40040-22-0	40040-24-0
10	LATCH PIN RETAINER	1	40030-08-0	40030-12-0	40030-12-0	40040-12-0
11	COTTER PIN	4	30AB0-12-0	30AB0-12-0	30AB0-12-0	30AB0-12-0
12	LINK BLOCK BOLT	4	23406	939051-65	939051-65	939051-65
13	LINK BLOCK NUT	4	6808C-00-5	6810C-00-5	6810C-00-5	6810C-00-5
14	GREASE FITTING	2	940308-1	940308-1	940308-1	940308-1
15	LATCH LOCK PIN RETNR.	1	40020-06-0	-	-	-
-	SPARE PART KIT	-	32387-SP	32385-SP	32386-SP	32383-SP

ITEM NO.	DESCRIPTION	QTY	100 Ton	100 Ton	150 Ton	150 Ton
			3 1/2" - 4 1/2"	5" - 8 5/8"	4 1/2" - 8 5/8"	8 1/2" - 11 3/4"
-	BODY	1	32384L	29960L	32754L	39342L
-	DOOR	1	32384R	29960R	32754R	39342R
-	LATCH LOCK ASSEMBLY	1	32382	32753	32753	32753
1	LATCH	1	32380	32752	32752	32752
2	LATCH LOCK	1	32381	32757	32757	32757
3	LATCH LOCK PIN	1	36208	36207	36207	36207
4	LATCH LOCK SPRING	1	32469	32758	32758	32758
5	HINGE PIN	1	32919-1	29963	32924	32924
6	LATCH PIN	1	32424-1	29334	34242-1	34242-1
7	LATCH SPRING	1	32470	32760	32760	32760
8	LINK BLOCK	2	32430	9519	9519	9519
9	HINGE PIN RETAINER	1	40040-24-0	40040-32-0	40050-32-0	40050-32-0
10	LATCH PIN RETAINER	1	40040-12-0	40040-18-0	40040-18-0	40040-22-0
11	COTTER PIN	4	30AB0-12-0	30AB0-14-0	30AB0-14-0	30AB0-14-0
12	LINK BLOCK BOLT	4	939051-65	8145	8145	8145
13	LINK BLOCK NUT	4	6810C-00-5	6812C-00-5	6812C-00-5	6812C-00-5
14	GREASE FITTING	2	940308-1	940308-1	940308-1	940308-1
-	SPARE PART KIT	-	32384-SP	29960-SP	32754-SP	39342-SP

TA Elevator Bore Codes

Size (in)	Style	35 Ton	65 Ton	100 Ton	150 Ton
1.050"	Plain (NU) Tubing	32387-150	-	-	-
1.050"	Upset (EU) Tubing	32387-151	-	-	-
1.315"	Plain (NU) Tubing	32387-152	-	-	-
1.315"	Upset (EU) Tubing	32387-153	-	-	-
1.660"	Plain (NU) Tubing	32387-154	32385-154	-	-
1.660"	Upset (EU) Tubing	32387-155	32385-155	-	-
1.900"	Plain (NU) Tubing	32387-156	32385-156	-	-
1.900"	Upset (EU) Tubing	32387-157	32385-157	-	-
2"	Drill Collar w/ Lift Plug	32387-823	32385-823	-	-
2 3/8"	Drill Collar w/ Lift Plug	32387-513	32385-513	32383-513	-
2 3/8"	Plain (NU) Tubing	32387-158	32385-158	32383-158	-
2 3/8"	Upset (EU) Tubing	32387-159	32385-159	32383-159	-
2 1/2"	Drill Collar w/ Lift Plug	32387-201	32385-201	32383-201	-
2 3/4"	Drill Collar w/ Lift Plug	32387-203	32385-203	32383-203	-
2 7/8"	Drill Collar w/ Lift Plug	32387-824	32385-824	32383-824	-
2 7/8"	Plain (NU) Tubing	32387-160	32385-160	32383-160	-
2 7/8"	Upset (EU) Tubing	32387-161	32385-161	32383-161	-
3"	Drill Collar w/ Lift Plug	32387-205	32385-205	32383-205	-
3 1/8"	Drill Collar w/ Lift Plug	-	-	32384-206	-
3 1/4"	Drill Collar w/ Lift Plug	-	32386-207	32384-207	-
3 3/8"	Drill Collar w/ Lift Plug	-	32386-795	32384-795	-
3 1/2"	Drill Collar w/ Lift Plug	-	32386-209	32384-209	-
3 1/2"	Drill Collar w/ Zip Lift Recess	-	-	32384-625	-
3 1/2"	Plain (NU) Tubing	-	32386-162	32384-162	-
3 1/2"	Upset (EU) Tubing	-	32386-163	32384-163	-
3 3/4"	Drill Collar w/ Lift Plug	-	32386-211	32384-211	-
3 3/4"	Drill Collar w/ Zip Lift Recess	-	32386-582	32384-582	-
3 7/8"	Drill Collar w/ Lift Plug	-	32386-763	32384-763	-
4"	Drill Collar w/ Lift Plug	-	32386-213	32384-213	32754-213
4"	Plain (NU) Tubing	-	32386-164	32384-164	-
4"	Upset (EU) Tubing	-	32386-165	32384-165	32754-165
4 1/8"	Drill Collar w/ Lift Plug	-	32386-519	32384-519	32754-519
4 1/8"	Drill Collar w/ Zip Lift Recess	-	32386-177	32384-177	-
4 1/4"	Drill Collar w/ Lift Plug	-	32386-548	32384-548	32754-548
4 1/2"	Casing	-	32386-129	32384-129	32754-129
4 1/2"	Drill Collar w/ Lift Plug	-	32386-215	32384-215	32754-215
4 1/2"	Drill Collar w/ Zip Lift Recess	-	32386-554	32384-554	32754-554
4 1/2"	Plain (NU) Tubing	-	32386-166	32384-166	32754-166
4 1/2"	Upset (EU) Tubing	-	32386-167	32384-167	32754-167
4 3/4"	Casing	-	32386-130	32384-130	32754-130
4 3/4"	Drill Collar w/ Lift Plug	-	-	29960-354	32754-354

TA Elevator Bore Codes

Size (in)	Style	35 ton	65 ton	100 ton	150 ton
4 3/4"	Drill Collar w/ Zip Lift Recess	-	32386-435	32384-435	-
4 7/8"	Drill Collar w/ Zip Lift Recess	-	32386-466	32384-466	32754-466
5"	Casing	-	-	29960-131	32754-131
5"	Drill Collar w/ Lift Plug	-	-	29960-552	32754-552
5 1/4"	Drill Collar w/ Lift Plug	-	-	29960-219	32754-219
5 1/4"	Drill Collar w/ Zip Lift Recess	-	-	29960-179	32754-179
5 1/2"	Casing	-	-	29960-132	32754-132
5 1/2"	Drill Collar w/ Lift Plug	-	-	29960-411	32754-411
5 1/2"	Drill Collar w/ Zip Lift Recess	-	-	29960-180	32754-180
5 3/4"	Casing	-	-	29960-133	32754-133
5 3/4"	Drill Collar w/ Lift Plug	-	-	29960-222	32754-222
5 3/4"	Drill Collar w/ Zip Lift Recess	-	-	29960-181	32754-181
6"	Casing	-	-	29960-134	32754-134
6"	Drill Collar w/ Lift Plug	-	-	29960-349	32754-349
6"	Drill Collar w/ Zip Lift Recess	-	-	29960-362	32754-362
6 1/4"	Drill Collar w/ Lift Plug	-	-	29960-348	32754-348
6 1/4"	Drill Collar w/ Zip Lift Recess	-	-	29960-337	32754-337
6 3/8"	Drill Collar w/ Lift Plug	-	-	29960-331	32754-331
6 1/2"	Drill Collar w/ Lift Plug	-	-	29960-332	32754-332
6 1/2"	Drill Collar w/ Zip Lift Recess	-	-	29960-373	32754-373
6 5/8"	Casing	-	-	29960-135	32754-135
6 3/4"	Drill Collar w/ Lift Plug	-	-	29960-338	32754-338
6 3/4"	Drill Collar w/ Zip Lift Recess	-	-	29960-387	32754-387
7"	Casing	-	-	29960-136	32754-136
7"	Drill Collar w/ Lift Plug	-	-	29960-372	32754-372
7"	Drill Collar w/ Zip Lift Recess	-	-	29960-361	32754-361
7 1/4"	Drill Collar w/ Lift Plug	-	-	29960-335	32754-335
7 1/4"	Drill Collar w/ Zip Lift Recess	-	-	29960-357	32754-357
7 1/2"	Drill Collar w/ Lift Plug	-	-	29960-137	32754-137
7 1/2"	Drill Collar w/ Zip Lift Recess	-	-	29960-188	32754-188
7 5/8"	Casing	-	-	29960-137	32754-137
7 3/4"	Casing	-	-	29960-705	32754-705
7 3/4"	Drill Collar w/ Lift Plug	-	-	29960-550	32754-550
7 3/4"	Drill Collar w/ Zip Lift Recess	-	-	29960-339	32754-339
8"	Casing	-	-	29960-757	32754-757
8"	Drill Collar w/ Lift Plug	-	-	29960-334	32754-334
8"	Drill Collar w/ Zip Lift Recess	-	-	29960-336	32754-336
8 1/4"	Drill Collar w/ Lift Plug	-	-	29960-347	32754-347
8 1/4"	Drill Collar w/ Zip Lift Recess	-	-	29960-422	32754-422
8 3/8"	Casing	-	-	29960-759	32754-759
8 1/2"	Casing	-	-	29960-646	32754-646

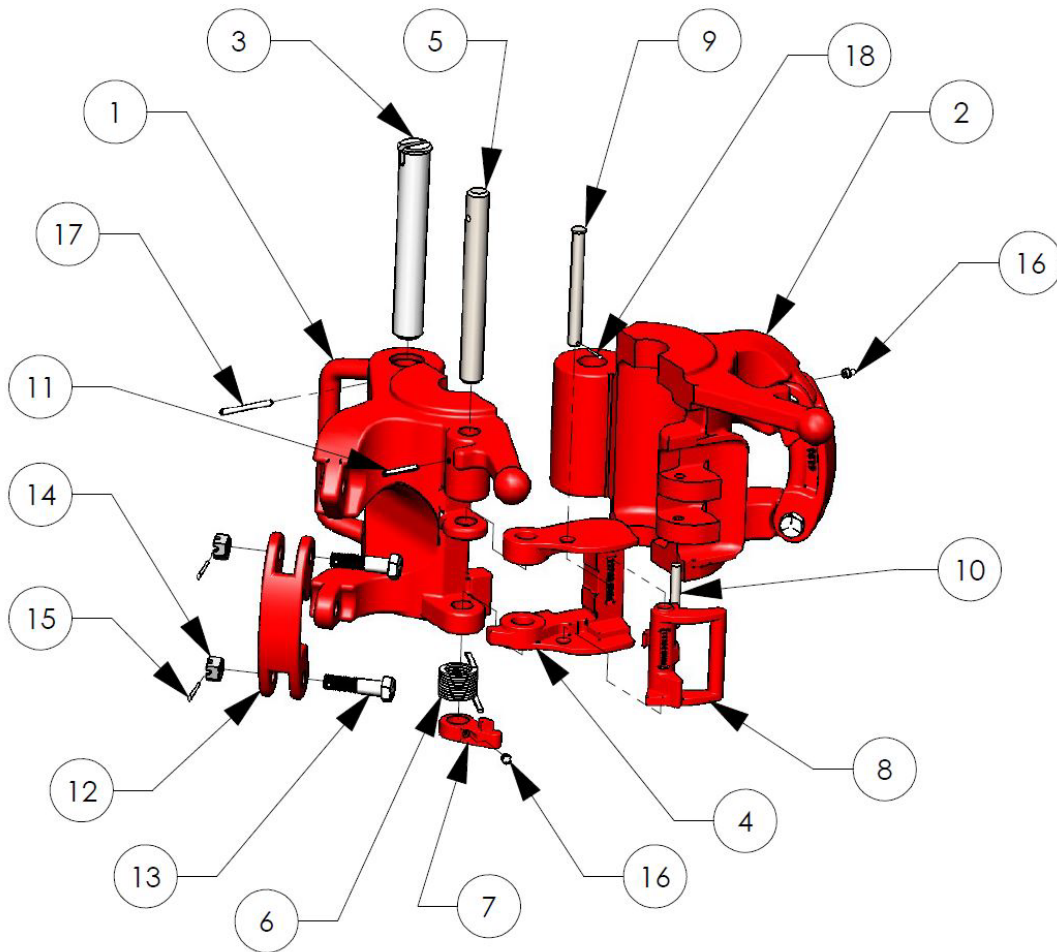
TA Elevator Bore Codes

Size (in)	Style	35 ton	65 ton	100 ton	150 ton
8 1/2"	Drill Collar w/ Lift Plug	-	-	29960-580	32754-580
8 1/2"	Drill Collar w/ Zip Lift Recess	-	-	29960-426	32754-426
8 5/8"	Casing	-	-	29960-139	32754-139
8 3/4"	Drill Collar w/ Lift Plug	-	-	-	39342-226
9"	Casing	-	-	-	39342-140
9"	Drill Collar w/ Lift Plug	-	-	-	39342-356
9"	Drill Collar w/ Zip Lift Recess	-	-	29960-427	39342-427
9 1/4"	Drill Collar w/ Lift Plug	-	-	-	39342-227
9 1/2"	Casing	-	-	-	39342-747
9 1/2"	Drill Collar w/ Lift Plug	-	-	-	39342-346
9 1/2"	Drill Collar w/ Zip Lift Recess	-	-	-	39342-370
9 5/8"	Casing	-	-	-	39342-141
9 5/8"	Drill Collar w/ Lift Plug	-	-	-	39342-479
9 3/4"	Drill Collar w/ Zip Lift Recess	-	-	-	39342-367
9 7/8"	Casing	-	-	-	39342-649
10"	Casing	-	-	-	39342-831
10"	Drill Collar w/ Lift Plug	-	-	-	39342-228
10"	Drill Collar w/ Zip Lift Recess	-	-	-	39342-195
10 1/8"	Casing	-	-	-	39342-846
10 1/4"	Casing	-	-	-	39342-808
10 1/2"	Drill Collar w/ Lift Plug	-	-	-	39342-229
10 3/4"	Casing	-	-	-	39342-142
10 3/4"	Drill Collar w/ Zip Lift Recess	-	-	-	39342-527
11"	Drill Collar w/ Lift Plug	-	-	-	39342-230
11"	Drill Collar w/ Zip Lift Recess	-	-	-	39342-419
11 1/4"	Drill Collar w/ Zip Lift Recess	-	-	-	39342-196
11 3/4"	Casing	-	-	-	39342-143
11 3/4"	Drill Collar w/ Lift Plug	-	-	-	39342-621

THIS PAGE INTENTIONALLY LEFT BLANK

RA, MAA, AA Elevators

PART NO.	TYPE	RATING (TONS)	SIZE	SIZE OF LINKS	WEIGHT
25462	RA	125	2 3/8" - 3 1/2"	1 3/4" - 2 3/4"	158
25459	RA	150	2 3/8" - 4 1/2"	1 3/4" - 2 3/4"	220
13373	MAA	250	3 1/2" - 7"	2 1/4" - 3 1/2"	352
12942	AA	350	4 1/2" - 6 5/8"	2 1/4" - 3 1/2"	550



RA/MAA/AA ELEVATOR REPLACEMENT PARTS

ITEM NO.	DESCRIPTION	QTY	RA	RA	MAA	AA
			125 Ton	150 Ton	250 Ton	350 Ton
1	BODY	1	25462L	25459L	13373L	12942L
2	DOOR	1	25462R	25459R	13373R	12942R
3	HINGE PIN	1	525-3	12704-2	13376-1	33998
4	LATCH	1	11111	11763	12945	31071
5	LATCH PIN	1	5389-2	5445-1	12980	33999
6	LATCH SPRING	1	25465	11766	12978	18416
7	LATCH CAM	1	11113-1	11581	12946	-
8	LATCH LOCK	1	11112	11764	12972	13152
9	LATCH LOCK PIN	1	11118	11759-1	13530	15101
10	DOOR LUG PIN	1	12529	12529	13531	13190
11	LATCH PIN RETAINER	1	40040-22-0	40040-16-0	40040-22-0	40050-32-0
12	LINK BLOCK	2	9519	9519	9519	9519
14	LINK BLOCK BOLT	4	8145	8145	8145	8145
15	LINK BLOCK NUT	4	6812C-00-5	6812C-00-5	6812C-00-5	6812C-00-5
16	COTTER PIN	4	30AB0-14-0	30AB0-14-0	30AB0-14-0	30AB0-14-0
17	GREASE FITTING	2	940308-1	940308-1	940308-1	940308-1
18	HINGE PIN RETAINER	1	40040-24-0	40040-24-0	40060-32-0	40060-40-0
19	LATCH LOCK PIN RETNR.	1	30020-08-0	30020-08-0	30020-08-0	-
20	LATCH SPRING STOP	1	-	-	-	13185-1
21	LATCH LOCK SPRING	1	-	-	-	13188
-	SPARE PART KIT	-	25462-SP	25459-SP	13373-SP	12942-SP

RA/MAA/AA Elevator Bore Codes

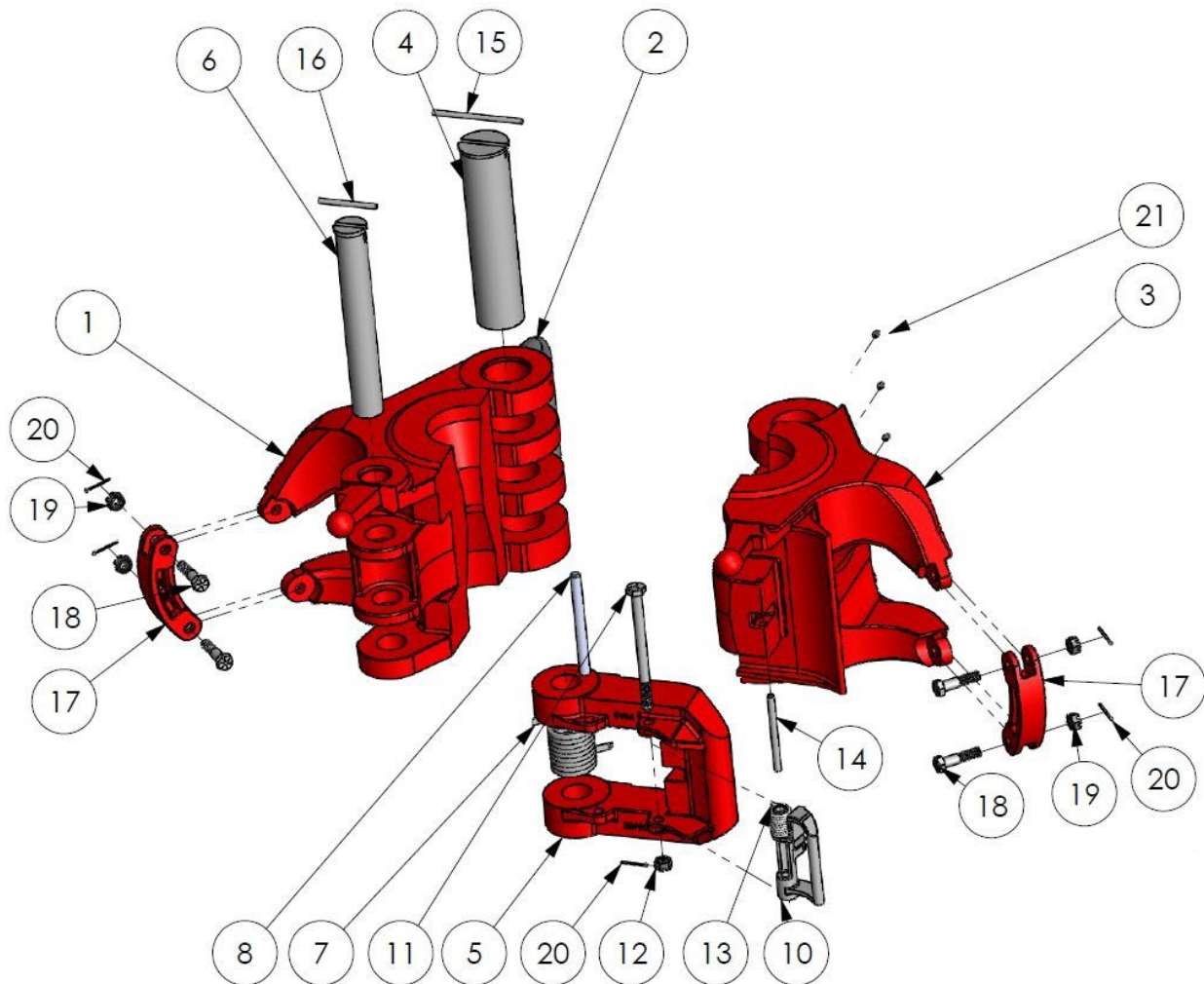
Size (in)	Style	125 Ton	150 Ton	250 Ton	350 Ton
2 3/8"	Drill Collar w/ Lift Plug	25462-513	25459-513	-	-
2 3/8"	Plain (NU) Tubing	25462-158	25459-158	-	-
2 3/8"	Upset (EU) Tubing	25462-159	25459-159	-	-
2 1/2"	Drill Collar w/ Lift Plug	25462-201	25459-201	-	-
2 3/4"	Drill Collar w/ Lift Plug	25462-203	25459-203	-	-
2 7/8"	Drill Collar w/ Lift Plug	25462-824	25459-824	-	-
2 7/8"	Plain (NU) Tubing	25462-160	25459-160	-	-
2 7/8"	Upset (EU) Tubing	25462-161	25459-161	-	-
3"	Drill Collar w/ Lift Plug	25462-205	25459-205	-	-
3 1/8"	Drill Collar w/ Lift Plug	25462-206	25459-206	-	-
3 1/4"	Drill Collar w/ Lift Plug	25462-207	25459-207	-	-
3 3/8"	Drill Collar w/ Lift Plug	25462-795	25459-795	13373-795	-
3 1/2"	Drill Collar w/ Lift Plug	25462-209	25459-209	13373-209	-
3 1/2"	Drill Collar w/ Zip Lift Recess	25462-625	25459-625	-	-
3 1/2"	Plain (NU) Tubing	25462-162	25459-162	13373-162	-
3 1/2"	Upset (EU) Tubing	25462-163	25459-163	13373-163	-
3 3/4"	Drill Collar w/ Lift Plug	-	25459-211	13373-211	-
3 3/4"	Drill Collar w/ Zip Lift Recess	-	25459-582	-	-
3 7/8"	Drill Collar w/ Lift Plug	-	25459-763	13373-763	-
4"	Drill Collar w/ Lift Plug	-	25459-213	13373-213	-
4"	Plain (NU) Tubing	-	25459-164	13373-164	-
4"	Upset (EU) Tubing	-	25459-165	13373-165	-
4 1/8"	Drill Collar w/ Lift Plug	-	25459-519	13373-519	-
4 1/8"	Drill Collar w/ Zip Lift Recess	-	25459-177	13373-177	-
4 1/4"	Drill Collar w/ Lift Plug	-	25459-548	13373-548	-
4 1/2"	Casing	-	25459-129	13373-129	12942-129
4 1/2"	Drill Collar w/ Lift Plug	-	25459-215	13373-215	12942-215
4 1/2"	Drill Collar w/ Zip Lift Recess	-	25459-554	13373-554	-
4 1/2"	Plain (NU) Tubing	-	25459-166	13373-166	12942-166
4 1/2"	Upset (EU) Tubing	-	25459-167	13373-167	12942-167
4 3/4"	Casing	-	25459-130	13373-130	12942-130
4 3/4"	Drill Collar w/ Lift Plug	-	-	13373-354	12942-354
4 3/4"	Drill Collar w/ Zip Lift Recess	-	25459-435	13373-435	-
4 7/8"	Drill Collar w/ Zip Lift Recess	-	25459-466	13373-466	-
5"	Casing	-	-	13373-131	12942-131
5"	Drill Collar w/ Lift Plug	-	-	13373-552	12942-552
5 1/4"	Drill Collar w/ Lift Plug	-	-	13373-219	12942-219
5 1/4"	Drill Collar w/ Zip Lift Recess	-	-	13373-179	12942-179
5 1/2"	Casing	-	-	13373-132	12942-132
5 1/2"	Drill Collar w/ Lift Plug	-	-	13373-411	12942-411

RA/MAA/AA Elevator Bore Codes

Size (in)	Style	125 Ton	150 Ton	250 Ton	350 Ton
5 1/2"	Drill Collar w/ Zip Lift Recess	-	-	13373-180	12942-180
5 3/4"	Casing	-	-	13373-133	12942-133
5 3/4"	Drill Collar w/ Lift Plug	-	-	13373-222	12942-222
5 3/4"	Drill Collar w/ Zip Lift Recess	-	-	13373-181	12942-181
6"	Casing	-	-	13373-134	12942-134
6"	Drill Collar w/ Lift Plug	-	-	13373-349	12942-349
6"	Drill Collar w/ Zip Lift Recess	-	-	13373-362	12942-362
6 1/4"	Drill Collar w/ Lift Plug	-	-	13373-348	12942-348
6 1/4"	Drill Collar w/ Zip Lift Recess	-	-	13373-337	12942-337
6 3/8"	Drill Collar w/ Lift Plug	-	-	13373-331	12942-331
6 1/2"	Drill Collar w/ Lift Plug	-	-	13373-332	12942-332
6 1/2"	Drill Collar w/ Zip Lift Recess	-	-	13373-373	12942-373
6 5/8"	Casing	-	-	13373-135	12942-135
6 3/4"	Drill Collar w/ Lift Plug	-	-	13373-338	-
6 3/4"	Drill Collar w/ Zip Lift Recess	-	-	13373-387	12942-387
7"	Casing	-	-	13373-136	-
7"	Drill Collar w/ Zip Lift Recess	-	-	13373-361	-

18° G Type Elevators

PART NO.	TYPE	RATING (TONS)	SIZE	SIZE OF LINKS	WEIGHT
30157	MG	100	2 3/8" - 5"	1 3/4" - 2 3/4"	235
30156	RG	150	2 3/8" - 3 1/2"	1 3/4" - 2 3/4"	330
30155	RG	150	4" - 5 1/2"	1 3/4" - 2 3/4"	430
13884	MGG	175	2 7/8" - 5"	1 3/4" - 2 3/4"	520
35005	MGG	250	2 7/8" - 5 1/2"	2 1/4" - 3 1/2"	571
31068	GG	350	4" - 5 7/8"	2 1/4" - 3 1/2"	734
70013	HGG	500	4" - 6 5/8"	2 1/4" - 3 1/2"	980



G ELEVATOR REPLACEMENT PARTS

ITEM NO.	DESCRIPTION	QTY	MG	RG	RG	MGG	MGG	GG	HGG
			100 Ton	150 Ton	150 Ton	175 Ton	250 Ton	350 Ton	500 Ton
1	BODY	1	30157L	30156L	30155L	13884L	35005L	31068L	70013L
2	BODY HANDLE	1	-	-	-	-	-	-	70013LH
3	DOOR	1	30157R	30156R	30155R	13884R	35005R	31068R	70013R
4	HINGE PIN	1	26813-2	23569-1	23568	13888	34908	33998	30553
5	LATCH	1	11763	23543	200363	13151	34906	31071	30460M
6	LATCH PIN	1	26814	23544-1	23567	13154	34907	33999	30613
7	LATCH SPRING	1	11766	23546	23546	13155	34909	18416	31228-2
8	LATCH SPRING STOP	1	-	23548	23548	13185	13185	13185-1	31215
9	LATCH CAM	1	11581	-	-	-	-	-	-
10	LATCH LOCK	1	11764	13152	13152	13152	13152	13152	13152-1
11	LATCH LOCK PIN	1	11759-1	15101	15101	15101	15101	15101	31138
12	LATCH LOCK NUT	1	-	6812C-00-5	6812C-00-5	6812C-00-5	6812C-00-5	6812C-00-5	6812C-00-5
13	LATCH LOCK SPRING	1	-	13188	13188	13188	13188	13188	13188
14	DOOR LUG PIN	1	12529	23547	23547	13190	13190	13190	31216
15	HINGE PIN RETNR.	1	40040-28-0	40040-24-0	40050-30-0	40050-16-0	40060-32-0	40060-40-0	51060-56-0
16	LATCH PIN RETNR.	1	40040-18-0	40040-22-0	40040-22-0	40040-28-0	40040-28-0	40050-32-0	51060-36-0
17	LINK BLOCK	2	26817	9519	9519	9519	9519	9519	30942
18	LINK BLOCK BOLT	4	8145	8145	8145	8145	8145	8145	8145
19	LINK BLOCK NUT	4	6812C-00-5	6812C-00-5	6812C-00-5	6812C-00-5	6812C-00-5	6812C-00-5	6812C-00-5
20	COTTER PIN	5	30AB0-14-0	30AB0-14-0	30AB0-14-0	30AB0-14-0	30AB0-14-0	30AB0-14-0	30AB0-14-0
21	GREASE FITTING	1	940308-1 (x2)	940308-1	940308-1	940308-1	940308-1	940308-1 (x2)	940308-1
22	COTTER PIN	1	30020-08-0	-	-	-	-	-	-
23^	WEAR BUSHING	1	-	-	-	13160-XXX	13160-XXX	13160-XXX	13160-XXX
-	SPARE PART KIT	-	30157-SP	30156-SP	30155-SP	13884-SP	35005-SP	31068-SP	70013-SP

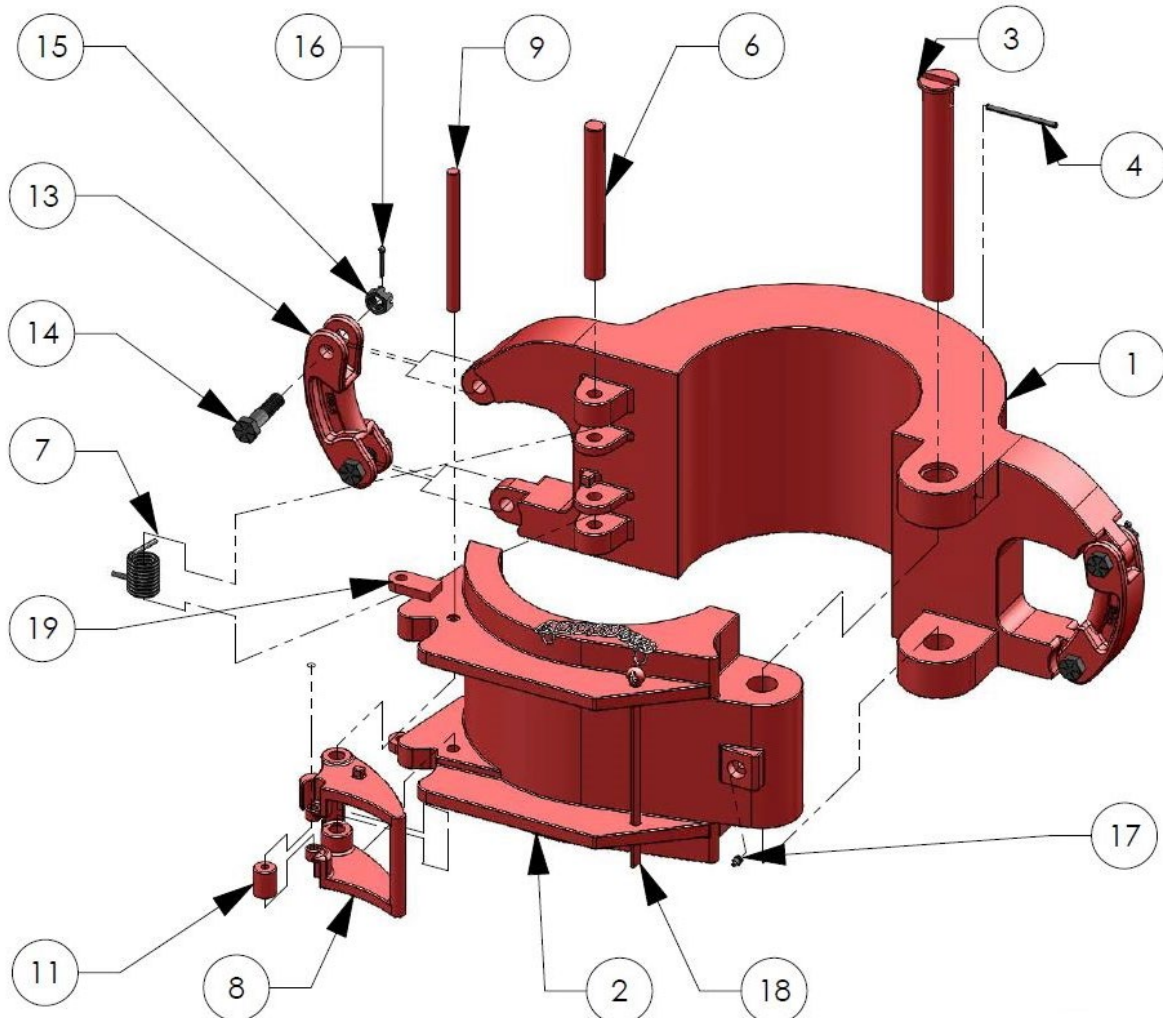
^= Optional (not pictured), add W to end of elevator PN to include wear bushing; XXX corresponds to bore code

G Elevator Bore Codes

SIZE & STYLE	MG	RG	MGG	MGG	GG	HGG
	100 Ton	150 Ton	175 Ton	250 Ton	350 Ton	500 Ton
2 3/8" EU	30157-116	30156-116	-	-	-	-
2 7/8" IU	30157-117	30156-117	-	-	-	-
2 7/8" EU	30157-118	30156-118	13884-118	35005-118	-	-
3 1/2" IU	30157-119	30156-119	13884-119	35005-119	-	-
3 1/2" EU	30157-120	30156-120	13884-120	35005-120	-	-
4" IU	30157-121	30155-121	13884-121	35005-121	31068-121	70013-121
4" EU or 4 1/2" IU IEU	30157-122	30155-122	13884-122	35005-122	31068-122	70013-122
4 1/2" EU or 5" IEU	30157-123	30155-123	13884-123	35005-123	31068-123	70013-123
5 1/2" EU (FH)	-	30155-124	-	35005-124	31068-124	70013-124
5 1/2" IF	-	-	-	-	31068-678	70013-678
5 7/8" IEU	-	-	-	-	31068-789	70013-789
6 5/8" FH	-	-	-	-	-	70013-740

Side Door SLX Elevators

PART NO.	RATING (TONS)	SIZE	SIZE OF LINKS	WEIGHT
33854	100	2 3/8" - 5 1/2"	1 3/4" - 2 3/4"	175
31239	150	3 1/2" - 8 5/8"	1 3/4" - 3 1/2"	340
33950	150	9 1/2" - 10 3/4"	1 3/4" - 3 1/2"	420
33982	150	11 3/4" - 13 3/8"	1 3/4" - 3 1/2"	460
33632	150	16" - 20"	1 3/4" - 3 1/2"	764
33175	150	24" - 30"	1 3/4" - 3 1/2"	1276
33180	150	36"	1 3/4" - 3 1/2"	2100
43239	250	4 1/2" - 8 5/8"	1 3/4" - 3 1/2"	550
43950	250	9 5/8" - 10 3/4"	1 3/4" - 3 1/2"	520
43982	250	11 3/4" - 14"	1 3/4" - 3 1/2"	525
43632	250	16" - 24"	1 3/4" - 3 1/2"	1000
43175	250	24" - 30"	1 3/4" - 3 1/2"	1635
43180	250	36"	1 3/4" - 3 1/2"	2200



SLX ELEVATOR REPLACEMENT PARTS

ITEM NO.	DESCRIPTION	QTY	100 Ton	150 Ton	150 Ton	150 Ton	150 Ton	150 Ton	150 Ton
			2 3/8" – 5 1/2"	3 1/2" – 8 5/8"	9 1/2" – 10 3/4"	11 3/4" – 13 3/8"	16" - 20"	24" - 30"	36"
1	BODY	1	33854L	31239L	33950L	33982L	33632L	33175L	33180L
2	DOOR	1	33854R	31239R	33950R	33982R	33632R	33175R	33180R
3	HINGE PIN	1	34613-1	34611	33953-1	33985	33646-3	34179-3	34179-2
4	HINGE PIN RETAINER	1	40040-16-0	-	40040-26-0	-	40040-32-0	40040-32-0	40040-32-0
5	LATCH	1	33813	31331	31331	31331	33634	33634	33634
6	LATCH PIN	1	29980-3	50713	32424-3	32424-3	33645-1	33645-1	33645-2
7	LATCH SPRING	1	33818	31383	31383	31383	33657	33657	33657
8	LATCH LOCK	1	33812	31332	31332	31332	33635	33635	33635
9	LATCH LOCK PIN	1	29980-3	29980-4	29980-5	29980-5	50713-1	50713-1	29980-6
10	LATCH LOCK SPRING	1	33816	31404	31404	31404	33658	33658	33658
11	ROLLER	1	31407	31407	31407	31407	31407	31407	31407
12	ROLLER PIN	1	31584	31584	31584	31584	31584	31584	31584
13	LINK BLOCK	2	32430	9519	9519	9519	9519	9519	9519
14	LINK BLOCK BOLT	4	939051-65	8145	8145	8145	8145	8145	8145
15	LINK BLOCK NUT	4	6810C-00-5	6812C-00-5	6812C-00-5	6812C-00-5	6812C-00-5	6812C-00-5	6812C-00-5
16	COTTER PIN	4	30AB0-14-0	30AB0-14-0	30AB0-14-0	30AB0-14-0	30AB0-14-0	30AB0-14-0	30AB0-14-0
17	GREASE FITTING	1	940308-1	940308-1	940308-1	940308-1	940308-1	940308-1	940308-1
18	PIN & CHAIN ASY	1	10571-1	10571-2	10571-3	10571-2	10571-4	10571-4	10571-4
-	SPARE PART KIT	-	33854-SP	31239-SP	33950-SP	33982-SP	33632-SP	33175-SP	33180-SP

ITEM NO.	DESCRIPTION	QTY	250 Ton	250 Ton	250 Ton	250 Ton	250 Ton	250 Ton
			4 1/2" – 8 5/8"	9 5/8" – 10 3/4"	11 3/4" – 14"	16" - 24"	24" - 30"	36"
1	BODY	1	43239L	43950L	43982L	43632L	43175R	43180L
2	DOOR	1	43239R	43950R	43982R	43632R	43175L	43180R
3	HINGE PIN	1	33646-2	33646-2	33646-4	34179	34179-3	34179-2
4	HINGE PIN RETAINER	1	-	-	40040-24-0	-	40040-32-0	40040-32-0
5	LATCH	1	31331	31331	33634	33634	33634	33634
6	LATCH PIN	1	33645	32424-3	33645-2	33645-2	33645-1	33645-2
7	LATCH SPRING	1	31383	33657	33657	33657	33657	33657
8	LATCH LOCK	1	31332	31332	33635	33635	33635	33635
9	LATCH LOCK PIN	1	29980-4	29980-5	50713-1	29980-5	50713-1	29980-6
10	LATCH LOCK SPRING	1	31404	33658	33658	33658	33658	33658
11	ROLLER	1	31407	31407	31407	31407	31407	31407
12	ROLLER PIN	1	31584	31584	31584	31584	31584	31584
13	LINK BLOCK	2	9519	9519	9519	9519	9519	9519
14	LINK BLOCK BOLT	4	8145	8145	8145	8145	8145	8145
15	LINK BLOCK NUT	4	6812C-00-5	6812C-00-5	6812C-00-5	6812C-00-5	6812C-00-5	6812C-00-5
16	COTTER PIN	4	30AB0-14-0	30AB0-14-0	30AB0-14-0	30AB0-14-0	30AB0-14-0	30AB0-14-0
17	GREASE FITTING	1	940308-1	940308-1	940308-1	940308-1	940308-1	940308-1
18	PIN & CHAIN ASY	1	10571-3	10571-4	10571-4	10571-4	10571-4	10571-4
-	SPARE PART KIT	-	43239-SP	43950-SP	43982-SP	43632-SP	43175-SP	43180-SP

SLX Elevator Bore Codes

Size (in)	Style	100 Ton	150 Ton	250 Ton
2 3/8"	Drill Collar w/ Lift Plug	33854-513	-	-
2 3/8"	Plain (NU) Tubing	33854-158	-	-
2 3/8"	Upset (EU) Tubing	33854-159	-	-
2 1/2"	Drill Collar w/ Lift Plug	33854-201	-	-
2 3/4"	Drill Collar w/ Lift Plug	33854-203	-	-
2 7/8"	Drill Collar w/ Lift Plug	33854-824	31239-824	-
2 7/8"	Plain (NU) Tubing	33854-160	31239-160	-
2 7/8"	Upset (EU) Tubing	33854-161	31239-161	-
3"	Drill Collar w/ Lift Plug	33854-205	31239-205	-
3 1/8"	Drill Collar w/ Lift Plug	33854-206	31239-206	-
3 1/4"	Drill Collar w/ Lift Plug	33854-207	31239-207	-
3 3/8"	Drill Collar w/ Lift Plug	33854-795	31239-795	-
3 1/2"	Drill Collar w/ Lift Plug	33854-209	31239-209	-
3 1/2"	Drill Collar w/ Zip Lift Recess	33854-625	31239-625	-
3 1/2"	Plain (NU) Tubing	33854-162	31239-162	-
3 1/2"	Upset (EU) Tubing	33854-163	31239-163	-
3 3/4"	Drill Collar w/ Lift Plug	33854-211	31239-211	-
3 3/4"	Drill Collar w/ Zip Lift Recess	33854-582	31239-582	-
3 7/8"	Drill Collar w/ Lift Plug	33854-763	31239-763	-
4"	Drill Collar w/ Lift Plug	33854-213	31239-213	-
4"	Plain (NU) Tubing	33854-164	31239-164	-
4"	Upset (EU) Tubing	33854-165	31239-165	-
4 1/8"	Drill Collar w/ Lift Plug	33854-519	31239-519	-
4 1/8"	Drill Collar w/ Zip Lift Recess	33854-177	31239-177	-
4 1/4"	Drill Collar w/ Lift Plug	33854-548	31239-548	-
4 1/2"	Casing	33854-129	31239-129	43239-129
4 1/2"	Drill Collar w/ Lift Plug	33854-215	31239-215	43239-215
4 1/2"	Drill Collar w/ Zip Lift Recess	33854-554	31239-554	-
4 1/2"	Plain (NU) Tubing	33854-166	31239-166	43239-166
4 1/2"	Upset (EU) Tubing	33854-167	31239-167	43239-167
4 3/4"	Casing	33854-130	31239-130	43239-130
4 3/4"	Drill Collar w/ Lift Plug	33854-354	31239-354	43239-354
4 3/4"	Drill Collar w/ Zip Lift Recess	33854-435	31239-435	-
5"	Casing	33854-131	31239-131	43239-131
5"	Drill Collar w/ Lift Plug	33854-552	31239-552	43239-552
5 1/4"	Drill Collar w/ Lift Plug	33854-219	31239-219	43239-219
5 1/4"	Drill Collar w/ Zip Lift Recess	33854-179	31239-179	43239-179
5 1/2"	Casing	33854-132	31239-132	43239-132
5 1/2"	Drill Collar w/ Lift Plug	33854-411	31239-411	43239-411
5 1/2"	Drill Collar w/ Zip Lift Recess	33854-180	31239-180	43239-180

SLX Elevator Bore Codes

Size (in)	Style	100 Ton	150 Ton	250 Ton
5 3/4"	Casing	33854-133	31239-133	43239-133
5 3/4"	Drill Collar w/ Lift Plug	-	31239-222	43239-222
5 3/4"	Drill Collar w/ Zip Lift Recess	33854-181	31239-181	43239-181
6"	Casing	-	31239-134	43239-134
6"	Drill Collar w/ Lift Plug	-	31239-349	43239-349
6"	Drill Collar w/ Zip Lift Recess	33854-362	31239-362	43239-362
6 1/4"	Drill Collar w/ Lift Plug	-	31239-348	43239-348
6 1/4"	Drill Collar w/ Zip Lift Recess	33854-337	31239-337	43239-337
6 3/8"	Drill Collar w/ Lift Plug	-	31239-331	43239-331
6 1/2"	Drill Collar w/ Lift Plug	-	31239-332	43239-332
6 1/2"	Drill Collar w/ Zip Lift Recess	-	31239-373	43239-373
6 5/8"	Casing	-	31239-135	43239-135
6 3/4"	Drill Collar w/ Lift Plug	-	31239-338	43239-338
6 3/4"	Drill Collar w/ Zip Lift Recess	-	31239-387	43239-387
7"	Casing	-	31239-136	43239-136
7"	Drill Collar w/ Lift Plug	-	31239-372	43239-372
7"	Drill Collar w/ Zip Lift Recess	-	31239-361	43239-361
7 1/4"	Drill Collar w/ Lift Plug	-	31239-335	43239-335
7 1/4"	Drill Collar w/ Zip Lift Recess	-	31239-357	43239-357
7 1/2"	Drill Collar w/ Lift Plug	-	31239-137	43239-137
7 1/2"	Drill Collar w/ Zip Lift Recess	-	31239-188	43239-188
7 5/8"	Casing	-	31239-137	43239-137
7 3/4"	Casing	-	31239-705	43239-705
7 3/4"	Drill Collar w/ Lift Plug	-	31239-550	43239-550
7 3/4"	Drill Collar w/ Zip Lift Recess	-	31239-339	43239-339
8"	Casing	-	31239-757	43239-757
8"	Drill Collar w/ Lift Plug	-	31239-334	43239-334
8"	Drill Collar w/ Zip Lift Recess	-	31239-336	43239-336
8 1/4"	Drill Collar w/ Lift Plug	-	31239-347	43239-347
8 1/4"	Drill Collar w/ Zip Lift Recess	-	31239-422	43239-422
8 3/8"	Casing	-	31239-759	43239-759
8 1/2"	Casing	-	31239-646	43239-646
8 1/2"	Drill Collar w/ Lift Plug	-	31239-580	43239-580
8 1/2"	Drill Collar w/ Zip Lift Recess	-	31239-426	43239-426
8 5/8"	Casing	-	31239-139	43239-139
9"	Drill Collar w/ Zip Lift Recess	-	31239-427	43239-427
9 1/4"	Drill Collar w/ Lift Plug	-	-	43950-227
9 1/2"	Casing	-	33950-747	43950-747
9 1/2"	Drill Collar w/ Lift Plug	-	33950-346	43950-346

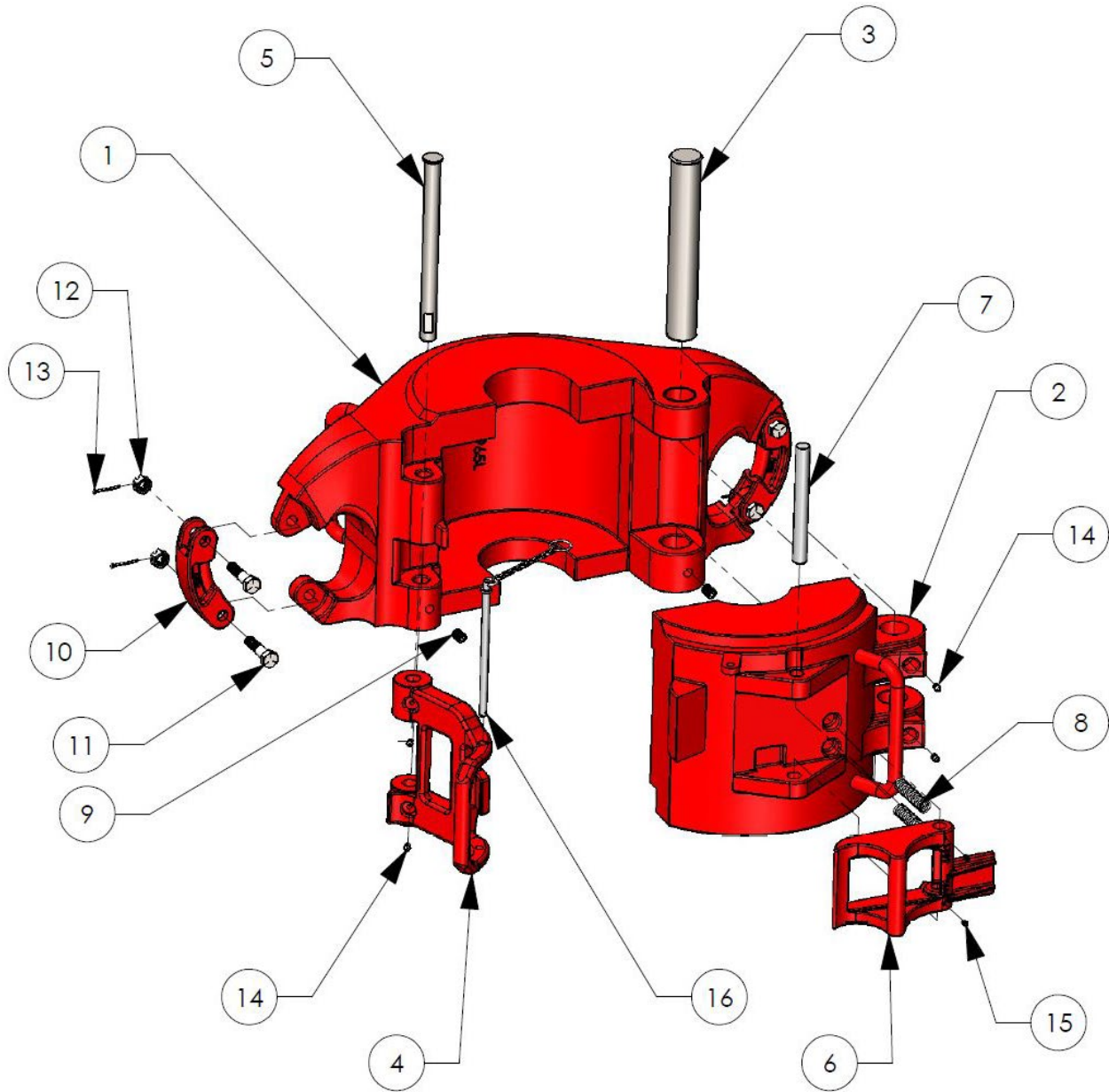
SLX Elevator Bore Codes

Size (in)	Style	100 Ton	150 Ton	250 Ton
9 5/8"	Casing	-	33950-141	43950-141
9 5/8"	Drill Collar w/ Lift Plug	-	33950-479	43950-479
9 7/8"	Casing	-	33950-649	43950-649
10"	Casing	-	33950-831	43950-831
10"	Drill Collar w/ Lift Plug	-	33950-228	43950-228
10"	Drill Collar w/ Zip Lift Recess	-	-	43950-195
10 1/8"	Casing	-	33950-846	43950-846
10 1/4"	Casing	-	33950-808	43950-808
10 1/2"	Drill Collar w/ Lift Plug	-	33950-229	43950-229
10 3/4"	Casing	-	33950-142	43950-142
10 3/4"	Drill Collar w/ Zip Lift Recess	-	33950-527	43950-527
11"	Drill Collar w/ Lift Plug	-	33950-230	43982-230
11"	Drill Collar w/ Zip Lift Recess	-	33950-419	43950-419
11 1/4"	Drill Collar w/ Zip Lift Recess	-	33950-196	43950-196
11 3/4"	Casing	-	33950-143	43982-143
11 3/4"	Drill Collar w/ Lift Plug	-	33982-621	43982-621
12 3/4"	Casing	-	33982-850	43982-850
12 7/8"	Casing	-	33982-676	43982-676
13 3/8"	Casing	-	33982-144	43982-144
13 5/8"	Casing	-	33982-596	43982-596
14"	Casing	-	33632-690	43982-690
14"	Drill Collar w/ Lift Plug	-	33632-679	43982-679
16"	Casing	-	33632-145	43632-145
16 3/4"	Casing	-	33632-175	43632-175
18"	Casing	-	33632-723	43632-723
18 1/2"	Casing	-	33632-852	43632-852
18 5/8"	Casing	-	33632-146	43632-146
20"	Casing	-	33632-147	43632-147
20 3/4"	Casing	-	-	43632-925
21 1/2"	Casing	-	-	43632-148
22"	Casing	-	-	43632-688
22 1/2"	Casing	-	-	43632-876
24"	Casing	-	33175-630	43632-630
24 1/2"	Casing	-	33175-149	43175-149
26"	Casing	-	33175-650	43175-650
27"	Casing	-	33175-692	43175-692
28"	Casing	-	33175-693	43175-693
30"	Casing	-	33175-644	43175-644
36"	Casing	-	33180-660	43180-660

THIS PAGE INTENTIONALLY LEFT BLANK

Side Door SX Elevators

PART NO.	RATING (TONS)	SIZE	SIZE OF LINKS	WEIGHT
29965	350	5 1/2" - 13 3/8"	2 1/4" - 3 1/2"	1076
29966	350	16" - 20"	2 1/4" - 3 1/2"	1280
29964	500	6 5/8" - 13 3/8"	2 3/4" - 3 1/2"	1180
30729	500	16" - 20"	2 3/4" - 3 1/2"	1346
46950	750	7 5/8" - 13 3/8"	3 1/2" - 4 3/4"	2650



SX ELEVATOR REPLACEMENT PARTS

ITEM NO.	DESCRIPTION	QTY	350 Ton	350 Ton	500 Ton	500 Ton	750 Ton
			5 1/2" - 13 3/8"	16" - 20"	6 5/8" - 13 3/8"	16" - 20"	7 5/8" - 13 3/8"
1	BODY	1	29965L	29966L	29964L	30729L	46950L
2	DOOR	1	29965R	29966R	29964R	30729R	46950R
3	HINGE PIN	1	29956	29956	29956	29956	38115
4	LATCH	1	29945	29945	29945	29945	38130
5	LATCH PIN	1	29951	29951	29951	29951	38125
6	LATCH LOCK	1	6021	6021	6021	6021	6021
7	LATCH LOCK PIN	1	6027	6027	6027	6027	6027
8	LATCH SPRING	1	30657	30657	30657	30657	30657
9	SET SCREW	1	939565-143	939565-143	939565-143	939565-143	7008F-06
10	LINK BLOCK	2	9519	9519	9519	9519	63009-1
11	LINK BLOCK BOLT	2	8145	8145	8145	8145	79805 (X2)
12	LINK BLOCK NUT	2	6812C-00-5	6812C-00-5	6812C-00-5	6812C-00-5	6812C-00-5 (X2)
13	COTTER PIN	2	30AB0-14-0	30AB0-14-0	30AB0-14-0	30AB0-14-0	30040-24-0 (X2)
14	GREASE FITTING	1	940308-1	940308-1	940308-1	940308-1	940308-1
15	GREASE FITTING	2	992073-1	992073-1	992073-1	992073-1	992073-1
16	PIN & CHAIN	1	10550	10550	10550	10550	10550
17	LOWER LINK BLOCK BOLT	2	-	-	-	-	38116
18	SET SCREW	4	-	-	-	-	7006F-06
19	COTTER PIN	2	-	-	-	-	30AB0-14-0
-	SPARE PART KIT	-	29965-SP	29966-SP	29964-SP	30729-SP	46950-SP

SX Elevator Bore Codes

Size (in)	Style	350 Ton	500 Ton	750 Ton
5 1/2"	Casing	29965-132	-	-
5 1/2"	Drill Collar w/ Lift Plug	29965-411	-	-
5 3/4"	Casing	29965-133	-	-
5 3/4"	Drill Collar w/ Lift Plug	29965-222	-	-
6"	Casing	29965-134	29964-134	-
6"	Drill Collar w/ Lift Plug	29965-349	29964-349	-
6 1/4"	Drill Collar w/ Lift Plug	29965-348	29964-348	-
6 1/4"	Drill Collar w/ Zip Lift Recess	29965-337	-	-
6 3/8"	Drill Collar w/ Lift Plug	29965-331	29964-331	-
6 1/2"	Drill Collar w/ Lift Plug	29965-332	29964-332	-
6 1/2"	Drill Collar w/ Zip Lift Recess	29965-373	-	-
6 5/8"	Casing	29965-135	29964-135	-
6 3/4"	Drill Collar w/ Lift Plug	29965-338	29964-338	-
6 3/4"	Drill Collar w/ Zip Lift Recess	29965-387	29964-387	-
7"	Casing	29965-136	29964-136	-
7"	Drill Collar w/ Lift Plug	29965-372	29964-372	-
7"	Drill Collar w/ Zip Lift Recess	29965-361	29964-361	-
7 1/4"	Drill Collar w/ Lift Plug	29965-335	29964-335	-
7 1/4"	Drill Collar w/ Zip Lift Recess	29965-357	29964-357	-
7 1/2"	Drill Collar w/ Lift Plug	29965-137	29964-137	-
7 1/2"	Drill Collar w/ Zip Lift Recess	29965-188	29964-188	-
7 5/8"	Casing	29965-137	29964-137	46950-137
7 3/4"	Casing	29965-705	29964-705	46950-705
7 3/4"	Drill Collar w/ Lift Plug	29965-550	29964-550	46950-550
7 3/4"	Drill Collar w/ Zip Lift Recess	29965-339	29964-339	-
8"	Casing	29965-757	29964-757	46950-757
8"	Drill Collar w/ Lift Plug	29965-334	29964-334	46950-334
8"	Drill Collar w/ Zip Lift Recess	29965-336	29964-336	-
8 1/4"	Drill Collar w/ Lift Plug	29965-347	29964-347	46950-347
8 1/4"	Drill Collar w/ Zip Lift Recess	29965-422	29964-422	-
8 3/8"	Casing	29965-759	29964-759	46950-759
8 1/2"	Casing	29965-646	29964-646	46950-646
8 1/2"	Drill Collar w/ Lift Plug	29965-580	29964-580	46950-580
8 1/2"	Drill Collar w/ Zip Lift Recess	29965-426	29964-426	46950-426
8 5/8"	Casing	29965-139	29964-139	46950-139
8 3/4"	Drill Collar w/ Lift Plug	29965-226	29964-226	46950-226
9"	Casing	29965-140	29964-140	46950-140
9"	Drill Collar w/ Lift Plug	29965-356	29964-356	46950-356
9"	Drill Collar w/ Zip Lift Recess	29965-427	29964-427	46950-427
9 1/4"	Drill Collar w/ Lift Plug	29965-227	29964-227	46950-227

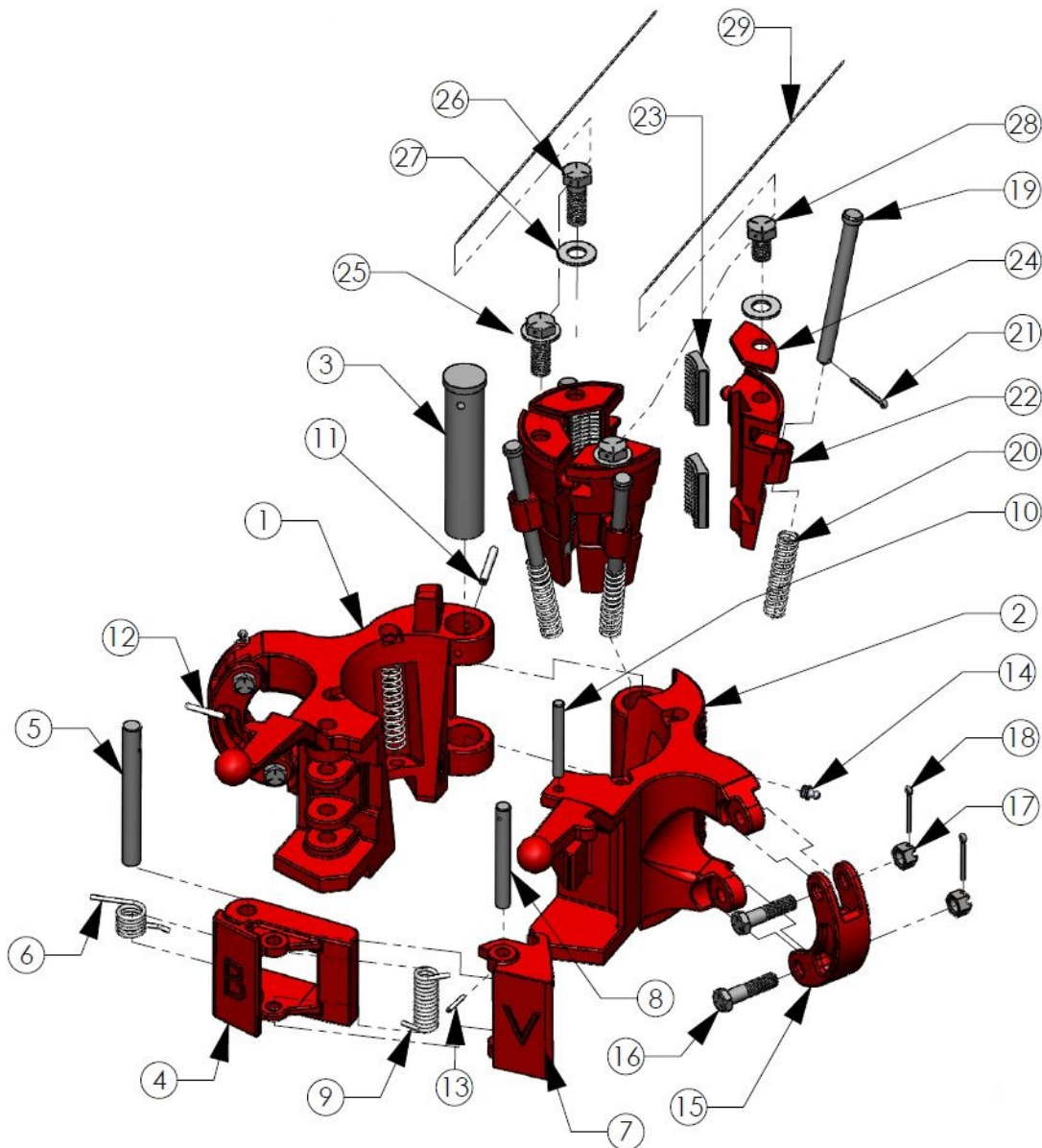
SX Elevator Bore Codes

Size (in)	Style	350 Ton	500 Ton	750 Ton
9 1/2"	Casing	29965-747	29964-747	46950-747
9 1/2"	Drill Collar w/ Lift Plug	29965-346	29964-346	46950-346
9 1/2"	Drill Collar w/ Zip Lift Recess	29965-370	29964-370	46950-370
9 5/8"	Casing	29965-141	29964-141	46950-141
9 5/8"	Drill Collar w/ Lift Plug	29965-479	29964-479	46950-479
9 3/4"	Drill Collar w/ Zip Lift Recess	29965-367	29964-367	46950-367
9 7/8"	Casing	29965-649	29964-649	46950-649
10"	Casing	29965-831	29964-831	46950-831
10"	Drill Collar w/ Lift Plug	29965-228	29964-228	46950-228
10"	Drill Collar w/ Zip Lift Recess	29965-195	29964-195	46950-195
10 1/8"	Casing	29965-846	29964-846	46950-846
10 1/4"	Casing	29965-808	29964-808	46950-808
10 1/2"	Drill Collar w/ Lift Plug	29965-229	29964-229	46950-229
10 3/4"	Casing	29965-142	29964-142	46950-142
10 3/4"	Drill Collar w/ Zip Lift Recess	29965-527	29964-527	46950-527
11"	Drill Collar w/ Lift Plug	29965-230	29964-230	46950-230
11"	Drill Collar w/ Zip Lift Recess	29965-419	29964-419	46950-419
11 1/4"	Drill Collar w/ Zip Lift Recess	29965-196	29964-196	46950-196
11 3/4"	Casing	29965-143	29964-143	46950-143
11 3/4"	Drill Collar w/ Lift Plug	29965-621	29964-621	46950-621
12 3/4"	Casing	29965-850	29964-850	46950-850
12 7/8"	Casing	29965-676	29964-676	46950-676
13 3/8"	Casing	29965-144	29964-144	46950-144
13 5/8"	Casing	29965-596	29964-596	-
14"	Casing	29965-690	29964-690	-
14"	Drill Collar w/ Lift Plug	29965-679	29964-679	-
16"	Casing	29966-145	30729-145	-
16 3/4"	Casing	29966-175	30729-175	-
18"	Casing	29966-723	30729-723	-
18 1/2"	Casing	29966-852	30729-852	-
18 5/8"	Casing	29966-146	30729-146	-
20"	Casing	29966-147	30729-147	-

LYT Slip Type Elevator (20 ton)

PART NO.	RATING (TONS)	SIZE	SIZE OF LINKS	WEIGHT
28750	20	1 1/2" - 2 1/16"	7/8" - 2 1/4"	57

SIZE	SLIP ASSEMBLY	INSERT	INSERT QTY	SETTING RING
2 1/16" x 1.050"	28745-7	29370	8	28735
2 1/16" x 1.315"	28745-2	28749	8	28736
2 1/16" x 1.660"	28745-3	28778	8	28784
2 1/16" x 1.900"	28745-4	28775	8	28783
2 1/16" x 2.000"	28745-5	28772	8	28737
2 1/16" x 2 1/16"	28745-6	28772	8	28782



LYT ELEVATOR REPLACEMENT PARTS

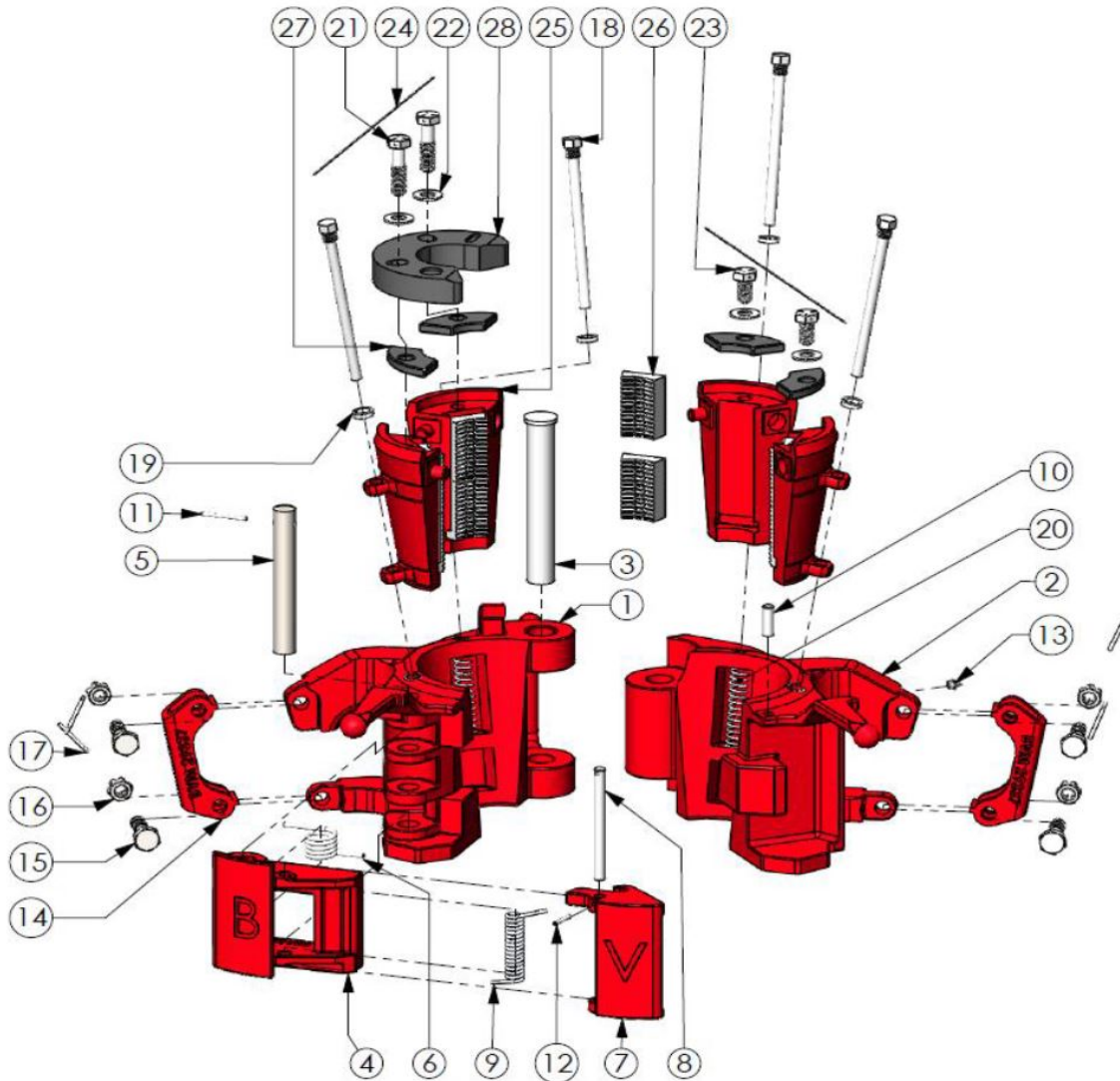
ITEM NO.	DESCRIPTION	QTY	PART NO.
1	BODY	1	28750L
2	DOOR	1	28750R
3	HINGE PIN	1	28753
4	LATCH	1	30644
5	LATCH PIN	1	28757-1
6	LATCH SPRING	1	32486
7	LATCH LOCK	1	30645
8	LATCH LOCK PIN	1	28767
9	LATCH LOCK SPRING	1	28769
10	LATCH LOCK DOOR PIN	1	941075-102
11	HINGE PIN RETAINER	1	40040-16-0
12	LATCH PIN RETAINER	1	40030-12-0
13	LATCH LOCK PIN RETAINER	1	40020-08-0
14	GREASE FITTING	1	940308-1
15	LINK BLOCK	2	23404
16	LINK BLOCK SCREW	4	23406
17	LINK BLOCK NUT	4	6808C-00-5
18	COTTER PIN	4	30AB0-12-0
19	SLIP PIN	4	28760
20	SLIP SPRING	4	28761
21	COTTER PIN (for Slip Pin)	4	30AB0-12-0
22*	SLIP SEGMENT	4	28745-1
23*	INSERT	8	VAR
24*	INSERT RETAINER	4	28786
25*	SETTING RING	1	VAR
26*	SETTING RING SCREW	2	28785
27*	FLAT WASHER	4	28100-00-5
28*	INSERT RETAINER SCREW	2	28787
29*	LOCKWIRE	AR	947879
-	SPARE PART KIT	-	28750-SP

* = Part of Slip Assembly

MYT Slip type Elevator (40 ton)

PART NO.	RATING (TONS)	SIZE	SIZE OF LINKS	WEIGHT
29328	40	1.315" - 2 7/8"	1 1/4" - 2 3/4"	157

SIZE	SLIP ASSEMBLY	INSERT	INSERT QTY	SETTING RING
2 7/8" x 1.315"	29343-7	29259	8	29354
2 7/8" x 1.660"	29343-6	29258	8	29353
2 7/8" x 1.900"	29343-5	29257	8	29352
2 7/8" x 2.000"	29343-4	29256	8	29351
2 7/8" x 2 1/16"	29343-3	29256	8	29350
2 7/8" x 2 3/8"	29343-2	29255	8	29345
2 7/8" x 2 7/8"	29343-1	24773	8	29348



MYT ELEVATOR REPLACEMENT PARTS

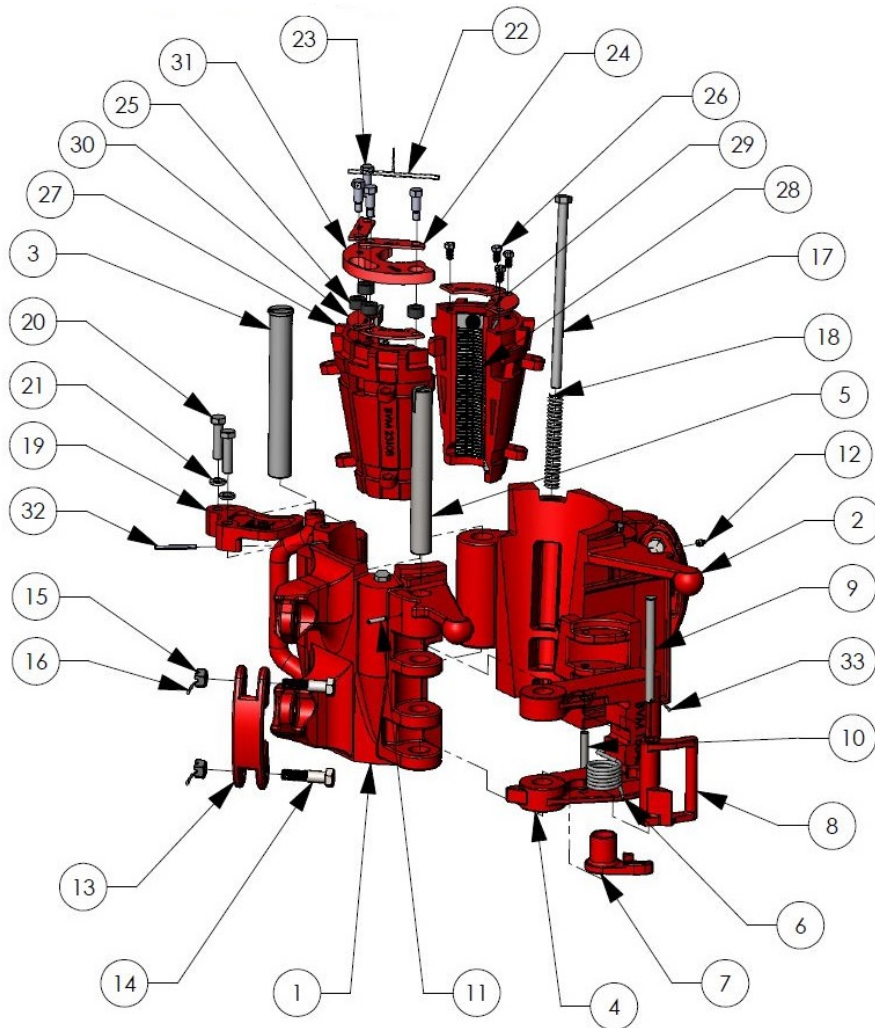
ITEM NO.	DESCRIPTION	QTY	PART NO.
1	BODY	1	29328L
2	DOOR	1	29328R
3	HINGE PIN	1	29333
4	LATCH	1	30652
5	LATCH PIN	1	29334-1
6	LATCH SPRING	1	25465
7	LATCH LOCK	1	30653
8	LATCH LOCK PIN	1	29335
9	LATCH LOCK SPRING	1	29349
10	LATCH LOCK DOOR PIN	1	51080-12-0
11	LATCH PIN RETAINER	1	40030-17-0
12	LATCH LOCK PIN RETAINER	1	40030-10-0
13	GREASE FITTING	1	940308-1
14	LINK BLOCK	2	29337
15	LINK BLOCK BOLT	4	939051-65
16	LINK BLOCK NUT	4	6812C-00-5
17	COTTER PIN	4	30AB0-14-0
18	SLIP BOLT	4	29336
19	LOCK WASHER	4	28100-00-0
20	SLIP SPRING	4	29340
21*	SETTING RING SCREW	2	29347
22*	FLATWASHER	4	22100-00-0
23*	HEX HEAD CAPSCREW	2	939098-15
24*	LOCKWIRE	AR	947879
25*	SLIP	4	29343
26*	INSERT	8	VAR
27*	INSERT RETAINER	4	29344
28*	SETTING RING	1	VAR
-	SPARE PART KIT	-	29328-SP

* = Part of Slip Assembly

YT Slip type Elevator (75 ton)

PART NO.	RATING (TONS)	SIZE	SIZE OF LINKS	WEIGHT
23105	75	1.315" - 3 1/2"	2 1/4" - 2 3/4"	356

SIZE	SLIP ASSEMBLY	INSERT	INSERT QTY	SETTING RING
2 7/8" x 1.315"	23108-11	29259	12	29001
2 7/8" x 1.660"	23108-10	29258	12	27810
2 7/8" x 1.900"	23108-9	29257	12	27811
2 7/8" x 2.000"	23108-8	29256	12	27821
2 7/8" x 2 1/16"	23108-7	29256	12	27812
2 7/8" x 2 3/8"	23108-6	29255	12	27694
2 7/8" x 2 7/8"	23108-4	24773	12	27695
3 1/2" x 2 7/8"	23108-3	30358	24	27695
3 1/2" x 3 1/2"	23108-5	24774	24	27813



YT ELEVATOR REPLACEMENT PARTS

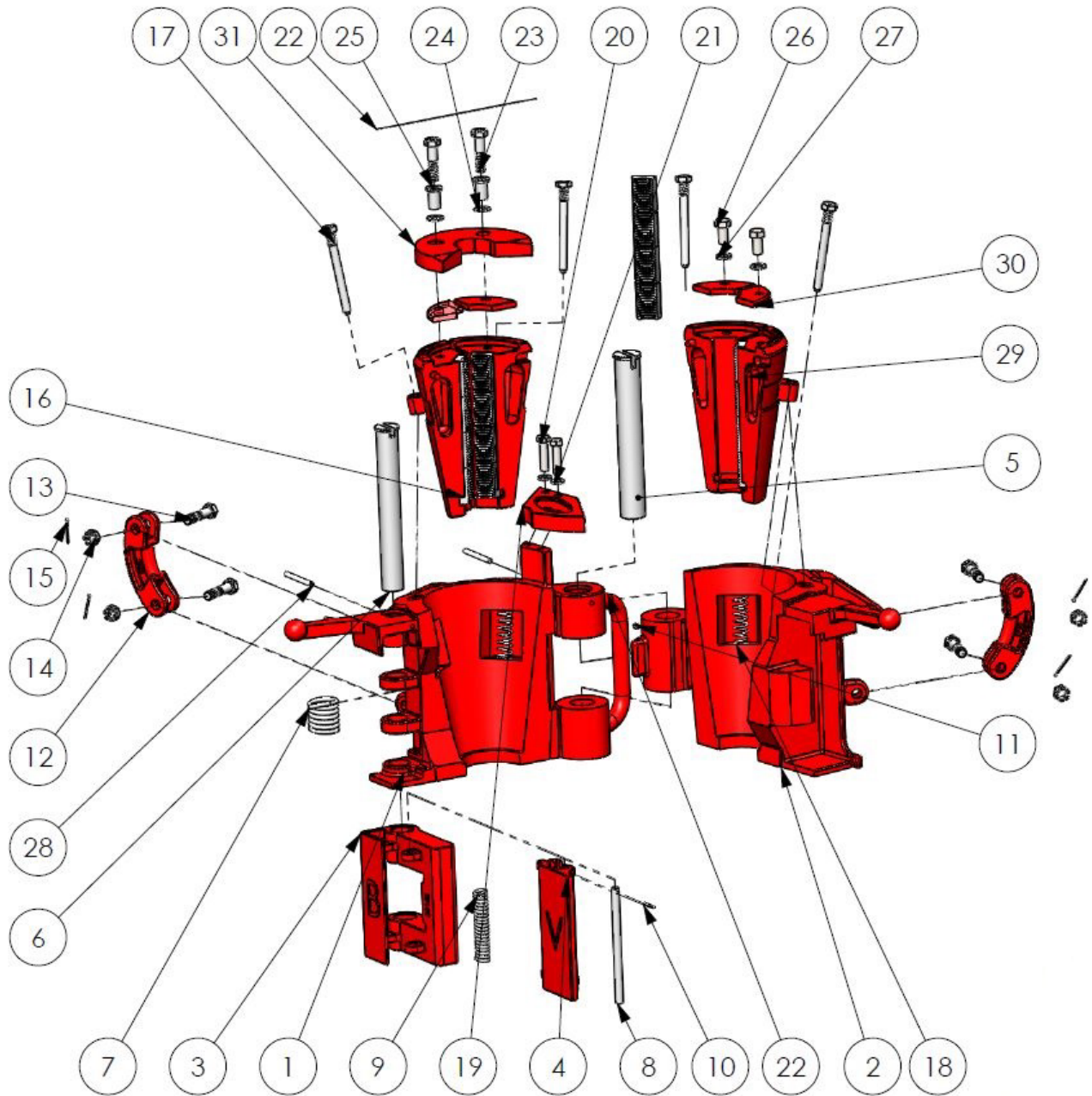
ITEM NO.	DESCRIPTION	QTY	PART #
1	BODY	1	23105L
2	DOOR	1	23105R
3	HINGE PIN	1	23116
4	LATCH	1	15348
5	LATCH PIN	1	24182
6	LATCH SPRING	1	12978
7	LATCH CAM	1	12946
8	LATCH LOCK	1	12972
9	LATCH LOCK PIN	1	13530
10	DOOR LUG PIN	1	12529
11	LATCH PIN RETAINER	1	40040-11-0
12	GREASE FITTING	1	940308-1
13	LINK BLOCK	2	9519
14	LINK BLOCK BOLT	4	8145
15	LINK BLOCK NUT	4	6812C-00-5
16	COTTER PIN	4	30AB0-12-0
17	SLIP BOLT	4	1410C-100-8
18	SLIP SPRING	4	23113
19	GUIDE PLATE	1	23630
20	GUIDE PLATE SCREW	2	1410C-20-5
21	GUIDE PLATE LOCKWASHER	2	20100-00-0
22*	LOCKWIRE	AR	947879
23*	HEX HEAD CAPSCREW	4	27697
24*	SETTING RING RETAINER 3 1/2"	2	27546
24*	SETTING RING RETAINER 2 7/8"	2	27507
25*	SETTING RING BUSHING	4	27696
26*	HEX HEAD CAPSCREW	4	27532
27*	SLIP	4	VAR
28*	INSERT	VAR	VAR
29*	INSERT SPACER	VAR	VAR
30*	INSERT RETAINER	4	VAR
31	SLIP SETTING RING	1	VAR
32	HINGE PIN RETAINER	1	40040-22-0
33	COTTER PIN	1	30020-08-0
-	SPARE PART KIT	-	23105-SP

* = Part of Slip Assembly

HYT Slip type Elevator (150 ton)

PART NO.	RATING (TONS)	SIZE	SIZE OF LINKS	WEIGHT
39284	150	2 3/8" - 3 1/2"	2 1/4" - 3 1/2"	525

SIZE	SLIP ASSEMBLY	INSERT	INSERT QTY	SETTING RING
2 7/8" x 2 3/8"	39259-4	29255	16	39214-1
2 7/8" x 2 7/8"	39259-2	24773	16	39214-2
3 1/2" x 2 7/8"	39258-4	30358	32	39214-2
3 1/2" x 3 1/2"	39258-2	24774	32	39214-3



HYT ELEVATOR REPLACEMENT PARTS

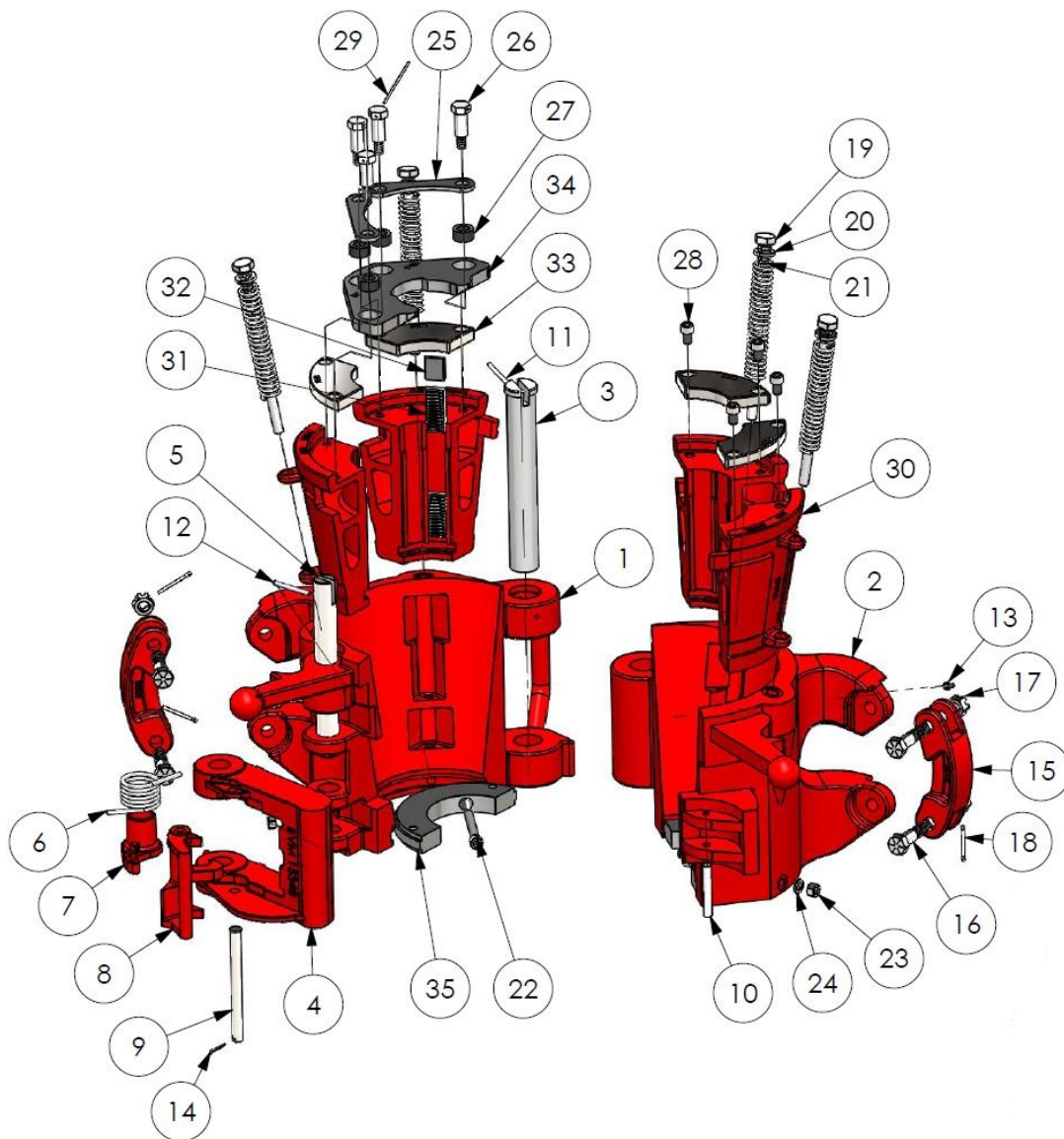
ITEM NO.	DESCRIPTION	QTY	PART NO.
1	BODY	1	39284L
2	DOOR	1	39284R
3	LATCH	1	39162
4	LATCH LOCK	1	39161
5	HINGE PIN	1	39239
6	LATCH PIN	1	39238
7	LATCH SPRING	1	39240
8	LATCH LOCK PIN	1	39251
9	LATCH LOCK SPRING	1	39241
10	ROLL PIN 3/16" X 1 1/2"	1	40030-12-0
11	GREASE FITTING	1	940308-1
12	LINK BLOCK	2	9519
13	LINK BLOCK BOLT	4	8145
14	3/4"-10 HEX SLOTTED NUT	4	6812C-00-5
15	COTTER PIN - 3/16 X 1 1/4	4	30AB0-14-0
16*	SLIP	4	VAR
17	SLIP BOLT	4	52321
18	SLIP SPRING	4	52539-1
19	GUIDE PLATE	1	51090
20	HEX BOLT, 5/8-11 X 2.5	2	1410C-20-8
21	LOCKWASHER 0.625	2	20100-00-0
22*	LOCKWIRE	1	947879
23*	HEX HEAD CAPSCREW	2	939098-96
24*	FLAT WASHER 0.75	2	22120-00-0
25*	SETTING RING BUSHING	2	51089
26*	HEX BOLT, 3/4-10 X 1.5	2	1412C-12-8
27*	LOCKWASHER 0.75	2	20120-00-0
28	ROLL PIN 0.375X4.00	2	40060-32-0
29*	INSERTS	16	VAR
30*	INSERT RETAINER	4	VAR
31	SLIP SETTING RING	1	VAR
-	SPARE PART KIT	-	39284-SP

* = Part of Slip Assembly

YC Slip type Elevator (75 ton)

PART NO.	RATING (TONS)	SIZE	SIZE OF LINKS	WEIGHT
24140	75	3 1/2" - 7"	2 1/4" - 2 3/4"	441

SIZE	SLIP ASSEMBLY	INSERT	INSERT QTY	SETTING RING	GUIDE PLATE
4 1/2" x 3 1/2 "	34931	24779	16	34932	26827-1
4 1/2" x 4"	26830	24781	16	30209	26827
4 1/2" x 4 1/2 "	24072-5	16408	16	30219	24071-4
5 1/2" x 5"	24072-7	24783	16	30220	24071
5 1/2" x 5 1/2 "	24072-2	16407	16	30223	24071-1
7" x 6 5/8 "	24077-7	24748	24	30226	24071-3
7" x 7"	24077-1	16407	24	30229	24071-2



YC ELEVATOR REPLACEMENT PARTS

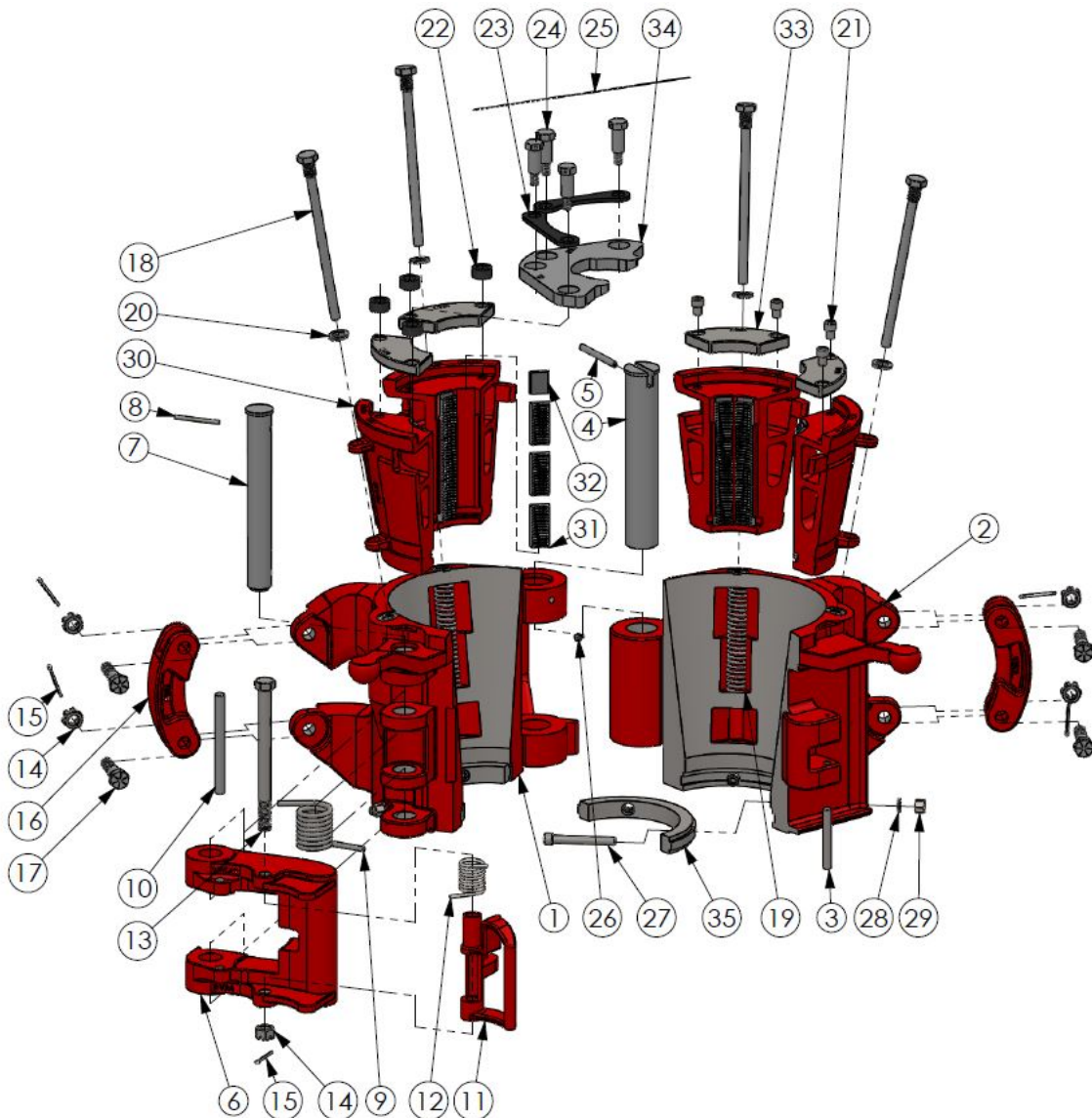
ITEM NO.	DESCRIPTION	QTY	PART NO.
1	BODY	1	24140L
2	DOOR	1	24140R
3	HINGE PIN	1	24181-1
4	LATCH	1	15348
5	LATCH PIN	1	24182
6	LATCH SPRING	1	12978
7	LATCH CAM	1	12946
8	LATCH LOCK	1	12972
9	LATCH LOCK PIN	1	13530
10	DOOR LUG PIN	1	12529
11	HINGE PIN RETAINER	1	40040-28-0
12	LATCH PIN RETAINER	1	40040-11-0
13	GREASE FITTING	2	940308-1
14	COTTER PIN	1	30020-08-0
15	LINK BLOCK	2	9519
16	LINK BLOCK BOLT	4	8145
17	LINK BLOCK NUT	4	6812C-00-5
18	COTTER PIN	4	30AB0-14-0
19	SLIP BOLT	4	24076
20	LOCKWASHER	4	20120-00-0
21	SLIP SPRING	4	24049
22	GUIDE PLATE SCREW	4	1208C-32-8
23	GUIDE PLATE NUT	4	6608C-00-5
24	LOCKWASHER	4	20080-00-0
25*	RETAINER 3 1/2" - 7"	2	30216
26*	SHOULDER SCREW	4	30211
27*	RUBBER BUSHING	4	30213
28*	INSERT RETAINER SCREW	4	1208C-06-5
29*	LOCKWIRE	AR	947879-15
30*	SLIP	4	VAR
31*	INSERT	16	VAR
32*	SPACER	8	24506
33*	INSERT RETAINER	4	VAR
34	SLIP SETTING RING	1	VAR
35	GUIDE PLATE	2	VAR
-	SPARE PART KIT	-	24140-SP

* = Part of Slip Assembly

MYC Slip type Elevator (125 ton)

PART NO.	RATING (TONS)	SIZE	SIZE OF LINKS	WEIGHT
24139	125	3 1/2" - 7"	2 1/4" - 2 3/4"	465

SIZE	SLIP ASSEMBLY	INSERT	INSERT QTY	SETTING RING	GUIDE PLATE
4 1/2" x 3 1/2 "	34931	24779	16	34932	26827-1
4 1/2" x 4"	26830	24781	16	30209	26827
4 1/2" x 4 1/2 "	24072-5	16408	16	30219	24071-4
5 1/2" x 5"	24072-7	24783	16	30220	24071
5 1/2" x 5 1/2 "	24072-2	16407	16	30223	24071-1
7" x 6 5/8 "	24077-7	24748	24	30226	24071-3
7" x 7"	24077-1	16407	24	30229	24071-2



MYC ELEVATOR REPLACEMENT PARTS

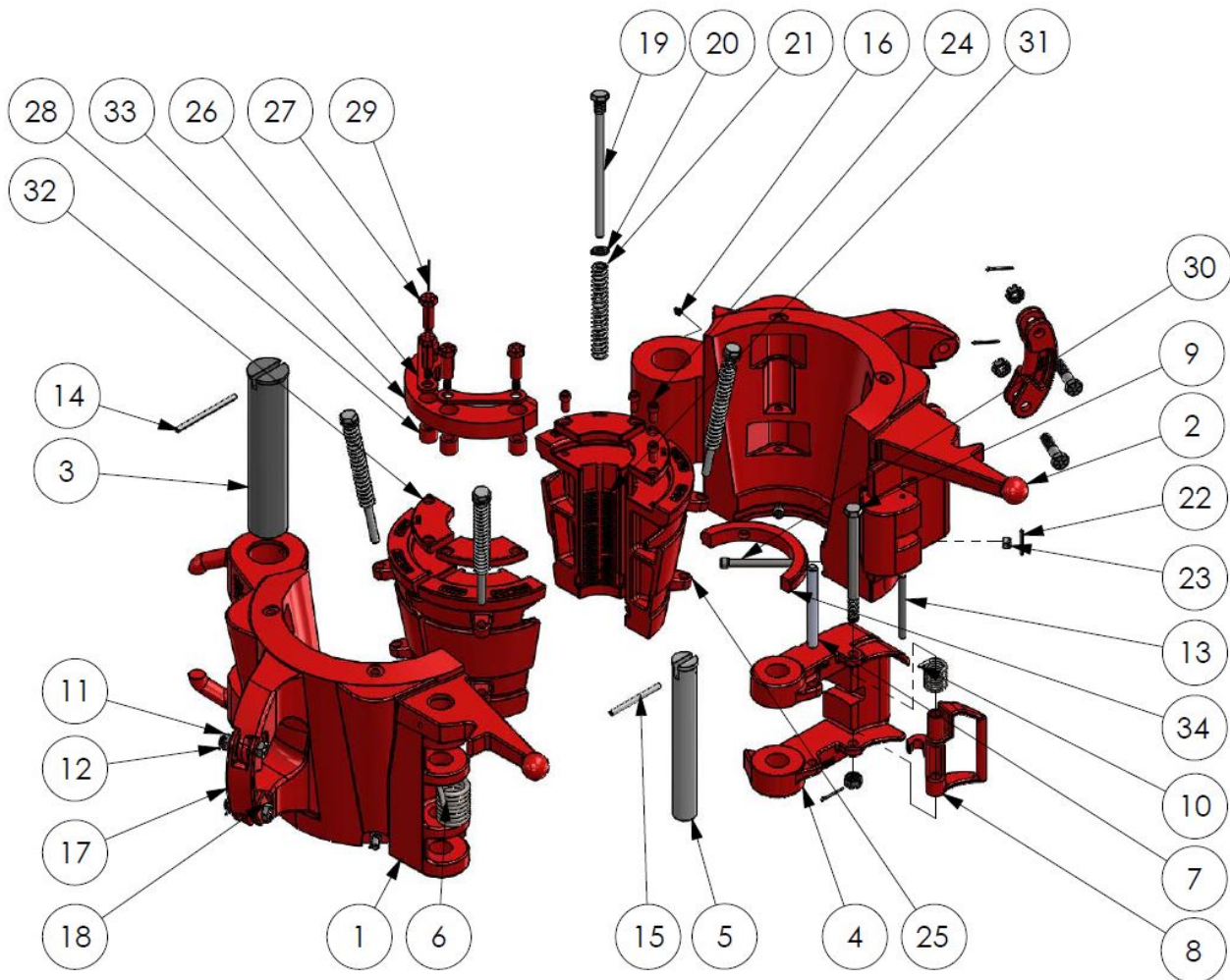
ITEM NO.	DESCRIPTION	QTY	PART NUMBER
1	BODY	1	24139L
2	DOOR	1	24139R
3	DOOR LUG PIN	1	200366
4	HINGE PIN	1	200364-1
5	ROLL PIN, 3/8 X 4	1	40060-32-0
6	LATCH	1	200363
7	LATCH PIN	1	200365
8	ROLL PIN 1/4" X 3"	1	40040-24-0
9	LATCH SPRING	1	200367
10	SPRING STOP PIN	1	23548
11	LATCH LOCK	1	13152
12	LATCH LOCK SPRING	1	13188
13	LATCH LOCK BOLT	1	15101
14	HEX SLOTTED NUT 3/4-10	5	6812C-00-5
15	COTTER PIN 5/32 X 1 3/4	5	30AB0-14-0
16	LINK BLOCK	2	9519
17	LINK BLOCK BOLT	4	8145
18	SLIP BOLT	4	24076
19	SLIP SPRING	4	24049
20	LOCK WASHER 0.75	4	20120-00-0
21*	SOCKET HEAD SCREW 1/2-13 X 1.0	4	1208C-08-5
22*	RUBBER BUSHING	4	30213
23*	RETAINER	2	30216
24*	SHOULDER SCREW	4	30211
25*	LOCKWIRE	AR	947879
26	1/8" NPT GREASE FITTING	1	940308-1
27	HEX CAP SCREW 0.5-13 X 4	4	1208C-32-8
28	LOCKWASHER 0.5	4	20080-00-0
29	NYLOC NUT 1/2-13	4	6608C-00-5
30*	SLIP	4	VAR
31*	INSERT	VAR	VAR
32*	SPACER	VAR	VAR
33*	INSERT RETAINER	4	VAR
34	SLIP SETTING RING	1	VAR
35	BOTTOM GUIDE PLATE	2	VAR
-	SPARE PART KIT	-	24139-SP

* = Part of Slip Assembly

HYC Slip type Elevator (200 ton)

PART NO.	RATING (TONS)	SIZE	SIZE OF LINKS	WEIGHT
55310	200	3 1/2" - 7 3/4"	2 1/4" - 3 1/2"	982

SIZE	SLIP ASSEMBLY	INSERT	INSERT QTY	SETTING RING	GUIDE PLATE
4 1/2" x 3 1/2"	55509	24779	24	55516	26827-1
4 1/2" x 4"	55510	24781	24	55517	26827
4 1/2" x 4 1/2"	55511	16408	24	55518	24071-4
5 1/2" x 5"	55512	24783	36	55519	24071
5 1/2" x 5 1/2"	55513	16407	36	55520	24071-1
7" x 6 5/8"	55514	24748	48	55521	24071-3
7" x 7"	55515	16407	48	55522	24071-2
7 5/8" x 7 5/8"	70009	16407	48	70012	24071-6
7 5/8" x 7 3/4"	70015	32477	48	70014	24071-6



HYC ELEVATOR REPLACEMENT PARTS

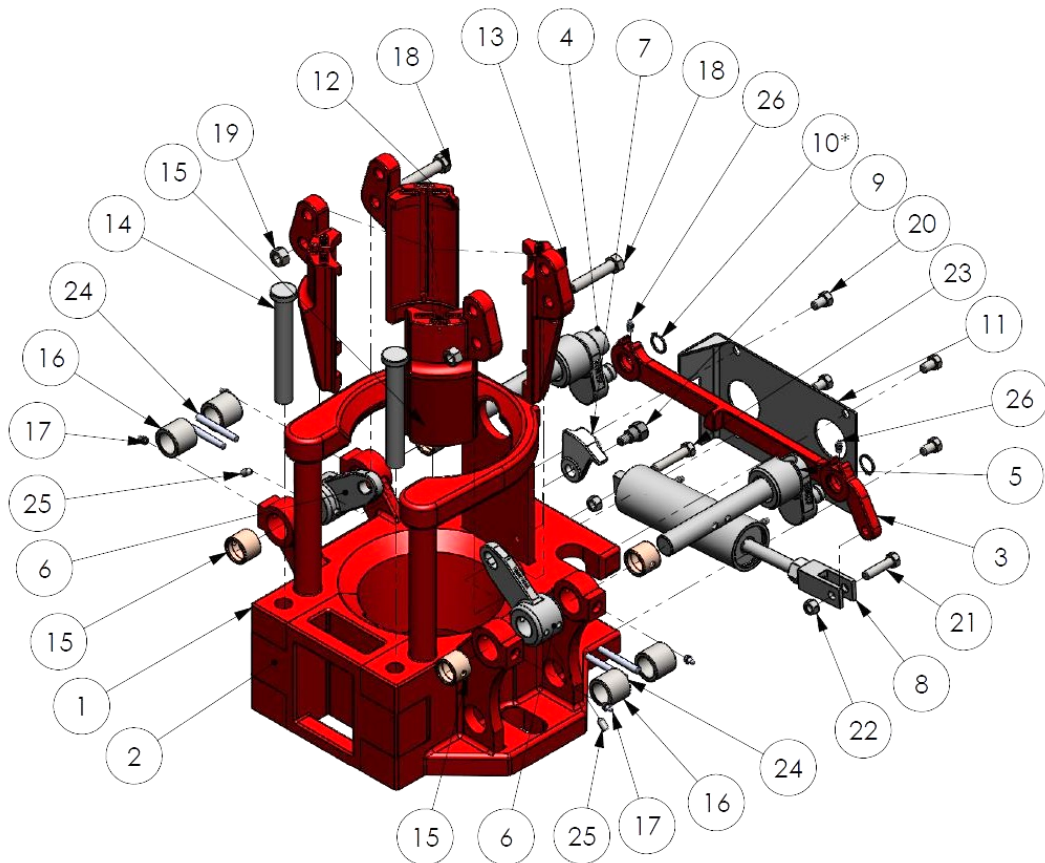
ITEM NO.	DESCRIPTION	QTY	PART NO.
1	BODY	1	55310L
2	DOOR	1	55310R
3	HINGE PIN	1	55311
4	LATCH	1	55503
5	LATCH PIN	1	55312
6	LATCH SPRING	1	34909
7	LATCH SPRING STOP	1	31215
8	LATCH LOCK	1	13152
9	LATCH LOCK BOLT	1	15101
10	LATCH LOCK SPRING	1	13188
11	LATCH LOCK BOLT NUT	5	6812C-00-5
12	COTTER PIN	5	30AB-14-0
13	DOOR LUG PIN	1	13190
14	HINGE PIN RETAINER	1	40060-40-0
15	LATCH PIN RETAINER	1	40060-40-0
16	GREASE FITTING	1	940308-1
17	LINK BLOCK	2	9519
18	LINK BLOCK BOLT	4	8145
19	SLIP BOLT	4	24076
20	LOCKWASHER	4	2012-00-0
21	SLIP SPRING	4	945044-2
22	COTTER PIN	4	30AB0-12-0
23	LINK BLOCK NUT	4	6808C-00-5
24*	SOCKET HEAD BOLT	4	1208C-06-8
25*	SLIP	4	VAR
26*	SETTING RING RETAINER	2	30216
27*	SHOULDER SCREW	4	55501
28*	RUBBER BUSHING	4	55502
29*	LOCKWIRE	1	947879
30	GUIDE PLATE BOLT	4	55508
31*	INSERT	VAR	VAR
32*	INSERT RETAINER	4	VAR
33	SLIP SETTING RING	1	VAR
34	GUIDE PLATE	1	VAR
-	SPARE PART KIT	-	55310-SP

* = Part of Slip Assembly

Tubing Spider - Type C – Pneumatic

PART NO.	RATING (TONS)	SIZE	WEIGHT
86500	83	1.315" - 5 1/2"	348
16500HD	125	1.315" - 5 1/2"	348

SIZE	SLIP BODY	INSERT
3 1/2" x 1.315"	565622-100	565652-1.315
3 1/2" x 1.660"	565622-100	565652-1.660
3 1/2" x 1.9"	565622-100	565652-1.900
3 1/2" x 2 1/16"	565622-100	565652-2.060
3 1/2" x 2 3/8"	565622-100	565652-1
3 1/2" x 2 7/8"	565622-100	565652-2
3 1/2" x 3 1/2"	565622-100	565652-3
4 1/2" x 3 1/2"	865623-100	865653-1
4 1/2" x 4"	865623-100	865653-2
4 1/2" x 4 1/2"	865623-100	865653-3
4 3/4"	865624-4.75	-
5"	865624-1	-
5 1/2"	865624-2	-



Tubing Spider Replacement Parts

ITEM NO.	DESCRIPTION	QTY	PART NO.
1	BODY	1	65101
2	DOOR	1	65102
3	LINK ASSEMBLY	1	65103
4	LEFT HAND CRANK ASSEMBLY	1	65104W
5	RIGHT HAND CRANK ASSEMBLY	1	65105W
6	LIFTING ARM	2	65106
7	SAFETY LATCH	1	65135
8	AIR CYLINDER ASSEMBLY	1	65140
9	BOLT FOR SAFETY LATCH	1	65136
10	HD EXTERNAL RETAINING RING	2	65122-1
11	SAFETY GUARD FOR CYLINDER	1	65108
12	SLIP BODY, RIGHT	2	VAR
13	SLIP BODY, LEFT	2	VAR
14	BODY-DOOR RETAINING PIN	2	65102-1
15	CRANK BUSHING	4	65124
16	SPACER	4	65126
17	1/8" NPT GREASE FITTING	4	940308-1
18	5/8-11 X 3 1/4 HEX BOLT	2	1410C-26-5
19	5/8-11 HEX NUT	2	6010C-00-5
20	1/2-13 X 3/4 HEX BOLT	4	1408C-06-5
21	1/2-13 X 2 HEX BOLT	1	1408C-16-5
22	1/2-13 HEX NUT	2	6608C-00-5
23	1/2-13 X 2 1/2 HEX BOLT	1	1408C-20-5
24	LIFTING ARM TAPERED PIN	4	65119
25	3/8-24 X 3/4 SET SCREW	2	7006F-06-5
26	GREASE FITTING	2	992073-1
27	RETAINER PIN	4	65601
28	COTTER PIN	4	992012-44
-	AIR HOSE SET	-	65300
-	FOOT CONTROL VALVE W/ COVER	-	65200-100
-	SPARE PART KIT	-	16500-SP

200/250 ton Elevator Spider

DESCRIPTION			MANUAL PART NO.	PNEUMATIC PART NO.	
SPIDER/ELEVATOR LESS SLIPS & GUIDE			79200	79200P	
BELL GUIDE KIT			79772		
SPIDER ADAPTER PLATE			79462		
AIRLINE & FILTER ASSEMBLY			79881		
SIZE	SLIP BODY SIZE	ELEVATOR BOTTOM GUIDE	SPIDER TOP GUIDE	SLIP SET	INSERT SET
2 3/8"	3 1/2"	79751	79525	79527-23	2160-12B-12
2 7/8"	3 1/2"	79871	79864	79527-28	2161-24
3 1/2"	3 1/2"	79870	79863	79527-35	2162-24
3 1/2"	4 1/2"	79870	79863	79901-35	2163-16B-16
4"	4 1/2"	79869	79862	79901-40	2164-16B-16
4 1/2"	4 1/2"	79868	79861	79901-45	2165-32
4 1/2"	5 1/2"	79868	79861	79525-45	2168-16B-16
5"	5 1/2"	79867	79860	79525-50	2169-16B-16
5 1/2"	5 1/2"	79867	79860	79525-55	2170-32
6 5/8"	7 5/8"	79866	79859	79524-66	2632-24B-24
7"	7 5/8"	79866	79859	79524-70	2623-24B-24
7 5/8"	7 5/8"	79865	79858	79524-76	2633-48
7 3/4"	7 5/8"	79865	79858	79524-77	2649-48



200/250 TON ELEVATOR / SPIDER RECOMMENDED SPARES

DESCRIPTION	QTY	PART NO.	
		MANUAL	PNEUMATIC
Spare Part Kit	-	79147	79147P
Wiper Ring	4	79751	-
Lift Beam Seal kit	1	-	10433
Cap Screw Modified	2	79805	79805
Cap Screw Modified	2	79261	79261
Spring Pin	4	79534	79534
Lever Handle	1	79588	79588
Dog Latch	1	79614	79614-M
Latch Assembly	1	79680	79680M
Cam Follower	1	79681	79681
Latch Retainer Kit	1	79141	79141
Handle Slip Lifting Kit	4	79146	79146
Hex Cap Screw	4	1406C-12-5	1406C-12-5
Hex Cap Screw	12	1408C-12-5	1408C-12-5
Hex Cap Screw	4	1408C-12-5	1408C-12-5
Hex Cap Screw	3	1410C-10-5	1410C-10-5
Hex Cap Screw	4	1416C-14-5	1416C-32-5
Hex Nut	2	6416C-00-0	6416C-00-0
Flat head Screw	2	2208C-10-5	2208C-10-5
Lock washer	16	20080-00-0	20080-00-0
Lock washer	3	20100-00-0	20100-00-0
Lock washer	4	20160-00-0	20160-00-0
Cotter Pin	2	30030-24-0	30030-24-0
Cotter Pin	2	30030-16-0	30030-16-0
Grease Fitting	17	79201	79201
Hex Nut	1	601000-0	601000-0

350 ton Elevator / Spider

DESCRIPTION				PART NO.	
SPIDER/ELEVATOR LESS SLIPS & GUIDE				11776	
BELL GUIDE KIT				11798	
SPIDER ADAPTER PLATE				19276	
AIRLINE & FILTER ASSEMBLY				11881	
SIZE	SLIP BODY SIZE	ELEVATOR BOTTOM GUIDE	SPIDER TOP GUIDE	SLIP SET	INSERT SET
4 1/2"	5 1/2"	11787	18419-1	11865	2168-16B-24
5"	5 1/2"	11788	18419-2	11864	2169-16B-24
5 1/2"	5 1/2"	11789	18419-3	11863	2170-40
6 5/8"	7 5/8"	11791	18419-4	11861	2632-24B-36
7"	7 5/8"	11791	18419-4	11860	2623-24B-36
7 5/8"	7 5/8"	11792	18419-5	11859	2633-60
7 3/4"	7 5/8"	11792	18419-5	71592-1	2649-60
8 5/8"	9 5/8"	11793	18419-6	11857	2640-32B-48
8 3/4"	9 5/8"	11793	18419-6	71591-3	2650-32B-48
9 5/8"	9 5/8"	11794	18419-7	11856	2633-80
9 3/4"	9 5/8"	71231	18419-15	71591-2	2649-80
9 7/8"	9 5/8"	71231	18419-15	71591-1	2649-80
10 3/4"	11 3/4"	11795	18419-8	11854	2640-40B-60
10 7/8"	11 3/4"	11795	18419-8	71590-1	2650-40B-60
11 3/4"	11 3/4"	11796	18419-9	11853	2637-100
11 7/8"	11 3/4"	11796	18419-9	71590-2	2651-100
13 3/8"	14"	11797	18419-10	70732-5	2637-100
13 1/2"	14"	71228	18419-12	70732-4	2652-40B-60
13 5/8"	14"	71228	18419-12	70732-3	2653-40B-60
13 3/4"	14"	71228	18419-12	70732-2	2655-40B-60
14"	14"	15939	18419-11	70732-1	2635-100



350 TON ELEVATOR / SPIDER RECOMMENDED SPARES

DESCRIPTION	QTY	PART NO.
Spare Part Kit	-	11776-SP
Safety Sling	1	10402
Hex pipe nipple	1	B216P-8
Coupling	1	B207P-2
Hex nut	2	6020F-00
Castle nut	2	6420C-00
Grease fitting	16	940308-1
Cotter pin	2	30040-24
Cotter pin	8	30030-12
Hi-collar lock washer	1	26120-00
Lock washer	2	20200-00
Lock washer	4	20100-00
Lock washer	6	20120-00
Lock washer	8	20080-00
Flat washer	2	22200-00
Socket head screw	1	1212C-16-8
Link block screw	2	B13536
Fender washer	2	24080-00
Lower Hose Assembly	1	B18269
Upper Hose Assembly	1	B18268
Lower link pin	2	B11989
Register button	1	79882
Cylinder retainer	2	B11849
Lynch pin	4	B7887
Air cylinder assembly	2	B11800
Hex cap screw	6	1412C-14
Hex cap screw	4	1410C-24
Hex cap screw	2	1408C-08
Hex cap screw	6	1408C-12

500 ton Elevator / Spider

DESCRIPTION			4 1/2 - 14" PART NO.	16 - 24" PART NO.	
SPIDER/ELEVATOR LESS SLIPS & GUIDE			13800	15740-1	
BELL GUIDE KIT			11798	19001	
SPIDER ADAPTER PLATE			19276	16552	
AIRLINE & FILTER ASSEMBLY			11881	11881	
SIZE	SLIP BODY SIZE	ELEVATOR BOTTOM GUIDE	SPIDER TOP GUIDE	SLIP SET	INSERT SET
4 1/2"	5 1/2"	11787	18419-1	13842-3	2168-16B-32
5"	5 1/2"	11788	18419-2	13842-2	2169-16B-32
5 1/2"	5 1/2"	11789	18419-3	13842-1	2170-48
6 5/8"	7 5/8"	11791	18419-4	13841-3	2632-24B-48
7"	7 5/8"	11791	18419-4	13841-2	2623-24B-48
7 5/8"	7 5/8"	11792	18419-5	13841-1	2633-72
7 3/4"	7 5/8"	11792	18519-5	13841-4	2649-72
8 5/8"	9 5/8"	11793	18419-6	13840-3	2640-32B-64
8 3/4"	9 5/8"	11793	18419-6	13840-5	2650-32B-64
9 5/8"	9 5/8"	11794	18419-7	13840-1	2633-96
9 3/4"	9 5/8"	71231	18419-15	13840-4	2649-96
9 7/8"	9 5/8"	71231	18419-15	13840-2	2649-96
9 7/8"	10 1/8"	71231	18419-15	13843-1	2655-96
10"	10 1/8"	71231	18419-15	13843-2	2669-96
10 1/8"	10 1/8"	71231	18419-15	13843-3	2637-96
10 1/4"	10 1/8"	71231	18419-15	13843-4	2651-96
10 3/4"	11 3/4"	11795	18419-8	13839-3	2640-40B-80
10 7/8"	11 3/4"	11795	18419-8	13839-4	2650-40B-80
11 3/4"	11 3/4"	11796	18419-9	13839-2	2637-120
11 7/8"	11 3/4"	11796	18419-9	13839-1	2651-120
12 3/4"	14"	11797-1	18419-13	70794-7	2657-40B-80
13 3/8"	14"	11797	18419-10	70734-5	2636-40B-80
13 1/2"	14"	71228	18419-12	70734-4	2652-40B-80
13 5/8"	14"	71228	18419-12	70734-3	2653-40B-80
13 3/4"	14"	71228	18419-12	70734-2	2655-40B-80
14"	14"	15939	18419-11	70734-1	2635-120
16"	16"	16184	73138	15790-4	2635-180
16 3/4"	16 3/4"	16184-1	73138-1	15790-5	2635-180
17"	17"	15795	73139	15790-6	2635-180
18 5/8"	18 5/8"	15794	73137	15790-3	2635-180
20"	20"	15793	73136	15790-2	2635-180
22"	22"	15796	73140	15790-7	2635-180
24"	24"	15792	73135	15790-1	2635-180

500 TON ELEVATOR / SPIDER RECOMMENDED SPARES

DESCRIPTION	QTY	PART NO. BY SIZE	
		4 1/2 - 14"	16 - 24"
Spare Part Kit	-	13800-SP	15740-SP
Safety Sling	1	10402	42041
Hex pipe nipple	1	B216P-8	B216P-8
Coupling	1	B207P-2	B207P-2
Hex nut	2	6020F-00	6020F-00
Castle nut	2	6816C-00	6816C-00
Grease fitting	16	940308-1	940308-1
Cotter pin	2	30030-16	30030-16
Cotter pin	8	30030-12	30030-12
Hi-collar lock washer	1	26120-00	26120-00
Lock washer	2	20200-00	20200-00
Lock washer	4	20100-00	20100-00
Lock washer	6	20120-00	20120-00
Lock washer	8	20080-00	20080-00
Flat washer	2	22200-00	22200-00
Socket head screw	1	1212C-16-8	1212C-16-8
Upper link block screw	2	79805	79805
Link block screw	2	79261	79261
Fender washer	2	24080-00	24080-00
Lower Hose Assembly	1	B18269	42026-1
Upper Hose Assembly	1	B18268	42026-4
Lower link pin	2	B11989	B11989
Register button	1	79882	79882
Cylinder retainer	2	B11849	B11849
Lynch pin	4	B7887	B7887
Air cylinder assembly	2	B11800	42025
Hex cap screw	6	1412C-14	1412C-14
Hex cap screw	4	1410C-24	1410C-24
Hex cap screw	2	1408C-08	1408C-08
Hex cap screw	6	1408C-12	1408C-12

750 ton Elevator / Spider

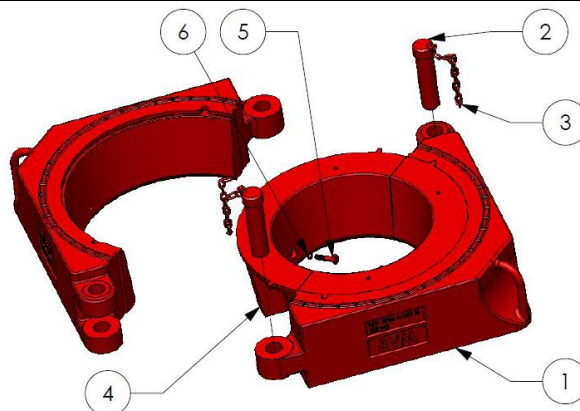
DESCRIPTION			6 5/8 - 14" PART NO.	16 - 24" PART NO.	
SPIDER/ELEVATOR LESS SLIPS & GUIDE			16150	16180	
BELL GUIDE KIT			19002	19001	
SPIDER ADAPTER PLATE			17163	16552	
AIRLINE & FILTER ASSEMBLY			11881	11881	
SIZE	SLIP BODY SIZE	ELEVATOR BOTTOM GUIDE	SPIDER TOP GUIDE	SLIP SET	INSERT SET
6 5/8"	7 5/8"	11791	18419-4	16182-4	2632-60-248
7"	7 5/8"	11791	18419-4	16182-8	2623-60-24B
7 5/8"	7 5/8"	11792	18419-5	16182-7	2633-84
7 3/4"	7 5/8"	11792	18419-5	16182-21	2649-84
8 5/8"	9 5/8"	11793	18419-6	16182-6	2640-80-32B
8 3/4"	9 5/8"	11793	18419-6	16182-20	2650-80-32B
9 5/8"	9 5/8"	11794	18419-7	16182-3	2633-112
9 3/4"	9 5/8"	71231	18419-15	16182-19	2649-112
9 7/8"	9 5/8"	71231	18419-15	16182-18	2649-112
10 3/4"	11 3/4"	11795	18419-8	16182-5	2640-100-40B
10 7/8"	11 3/4"	11795	18419-8	16182-17	2650-100-408
11 3/4"	11 3/4"	11796	18419-9	16182-2	2637-140
11 7/8"	11 3/4"	11796	18419-9	16182-16	2651-140
13 3/8"	14"	11797	18419-10	16182-10	2636-140
13 1/2"	14"	71228	18419-12	16182-12	2652-100-40B
13 5/8"	14"	71228	18419-12	16182-11	2653-100-40B
13 3/4'	14"	71228	18419-12	16182-13	2655-100-40B
14"	14"	15939	18419-11	16182-9	2635-140
16"	16"	16184	73138	16181	2635-210
18 5/8"	18 5/8"	15794	73137	16179	2635-210
20"	20"	15793	73136	16178	2635-210
24"	24"	15792	73135	16900	2635-210

750 TON ELEVATOR / SPIDER RECOMMENDED SPARES

Description	Qty	PART NO. BY SIZE	
		14"	24"
Spare Part Kit	-	16150-SP	16180-SP
Safety Sling	1	10402	42041
Hex pipe nipple	1	B216P-8	B216P-8
Hex nut	2	6020F-00	6020F-00
Castle nut	2	6416C-00	6416C-00
Grease fitting	24	940308-1	940308-1
Cotter pin	2	30040-16	30040-16
Cotter pin	8	30030-12	30030-12
Hi-collar lock washer	1	26120-00	26120-00
Lock washer	2	20200-00	20200-00
Lock washer	4	20100-00	20100-00
Lock washer	6	20120-00	20120-00
Lock washer	8	20080-00	20080-00
Flat washer	2	22200-00	22200-00
Socket head screw	1	1212C-12-8	1212C-12-8
Upper link block screw	2	79805	79805
Link block screw	2	79261	79261
Fender washer	2	24080-00	24080-00
Lower Hose Assembly	1	B18269	42026-1
Upper Hose Assembly	1	B18268	42026-4
Inlet to Control Valve Hose Assembly	1	-	42026-3
Lower link pin	2	B11989	B11989
Register button	1	63040	63040
Cylinder retainer	2	B11849	B11849
Lynch pin	4	B7887	B7887
Air cylinder assembly	2	63025	42025
Hex cap screw	6	1412C-14	1412C-14
Hex cap screw	4	1410C-22	1410C-22
Button head bolt	2	1408C-08	1408C-08
Hex cap screw	6	1408C-12	1408C-12
Hex cap screw	2	1408C-25	1408C-25

Hinged Casing Spider

DESCRIPTION	PART NO. – 3" Taper	RATING (TONS)	WEIGHT
13 3/8" SPIDER ASSEMBLY	7704-A-79	200/250	950
20" SPIDER ASSEMBLY	7704-A-130	200/250	1100
30" SPIDER ASSEMBLY	7704-A-161	200/250	1614
36" SPIDER ASSEMBLY	7704-A-167	200/250	1868
REDUCING BUSHING - 3" TAPER			
SIZE	BUSHING PART NO.	BOLT PART NO.	WEIGHT
13 3/8" - 10 3/4"	7704-A-80	1412C-16-8	202
20" - 8 5/8"	7704-A-139	1412C-48-8	944
20" - 10 3/4"	7704-A-138	1412C-40-8	878
20" - 13 3/8"	7704-A-136	1412C-32-8	638
20" - 16"	7704-A-134	1412C-20-8	484
30" - 16"	7704-A-165	1412C-60-8	1024
30" - 20"	7704-A-164	1412C-44-8	822
30" - 22"	7704-A-163-1	1412C-36-8	1048
30" - 24"	7704-A-163	1412C-28-8	780
30" - 26"	7704-A-162	1412C-20-8	492
36" - 24"	7704-A-171	1412C-48-8	1492
36" - 30"	7704-A-169	1412C-28-8	698
REDUCING BUSHING - 4" TAPER			
SIZE	BUSHING PART NO.	BOLT PART NO.	WEIGHT
13 3/8" - 8 5/8"	7704-B-81	1412C-28-8	374
13 3/8" - 10 3/4"	7704-B-80	1412C-16-8	150
20" - 8 5/8"	7704-B-139	1412C-48-8	944
20" - 11 3/4"	7704-B-137	1412C-36-8	714
20" - 13 3/8"	7704-B-136	1412C-32-8	578
20" - 16"	7704-B-134	1412C-20-8	330
30" - 16"	7704-B-165	1412C-60-8	954
30" - 20"	7704-B-164	1412C-44-8	738
30" - 22"	7704-B-166	1412C-36-8	958
ITEM NO.	DESCRIPTION	PART NO.	QTY
2	HINGE PIN	7704-A-84-1	2
3	HINGE LINK CHAIN	7704-A-84-2	2
6	LOCKWASHER (BUSHING ONLY)	20120-00-0	2
-	SPARE PART KIT	7704-A-SP	-

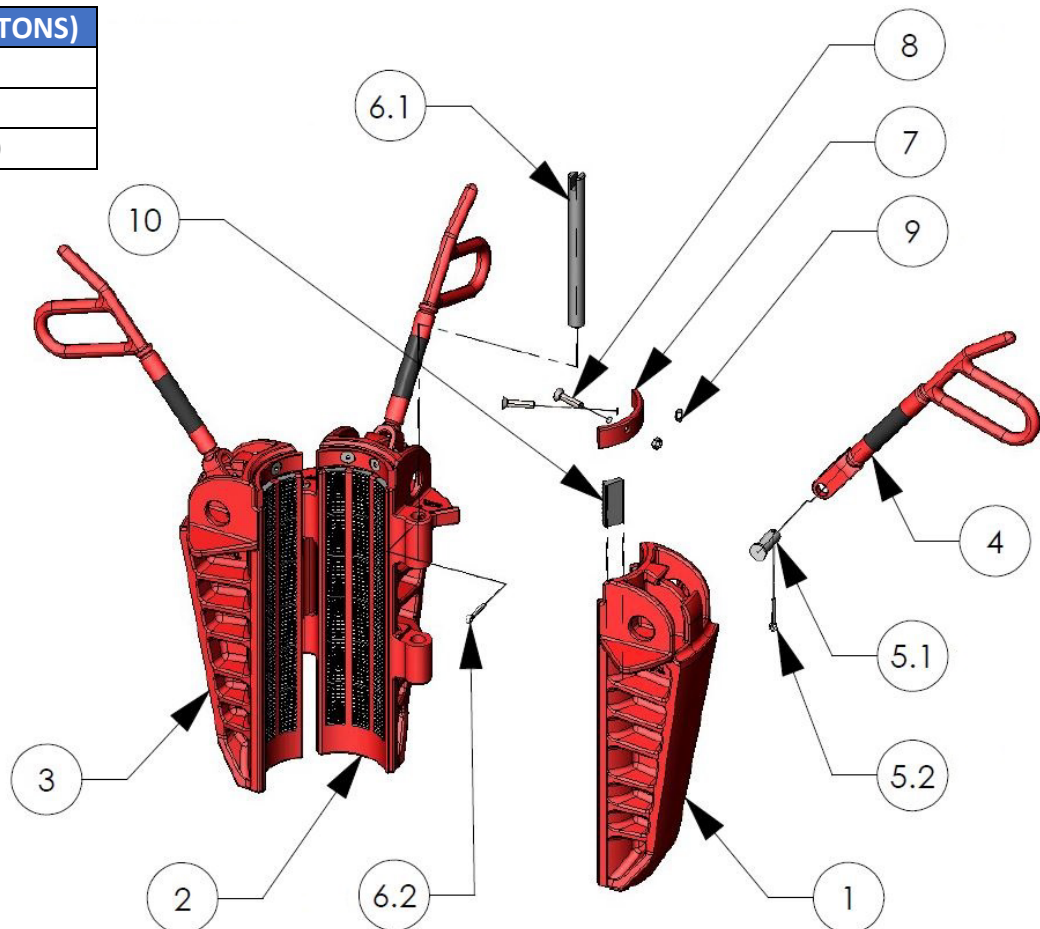


THIS PAGE INTENTIONALLY LEFT BLANK

Rotary Slips

PIPE SIZE	BODY SIZE	INSERT PART NO.	SDS PART NO.	INSERT QTY	SDML PART NO.	INSERT QTY	SDXL PART NO.	INSERT QTY																																																						
2 3/8"	3 1/2"	2160	3901-FH	24	15524-FH	30																																																								
2 7/8"	3 1/2"	2161	3903-FH	24	15523-FH	30																																																								
3 1/2"	3 1/2"	2162	3905-FH	24	15522-FH	30																																																								
3 1/2"	4 1/2"	2163	3907-FH	36	15563-FH	45	15515-FH	54																																																						
4"	4 1/2"	2164	3909-FH	36	15564-FH	45	15514-FH	54																																																						
4 1/2"	4 1/2"	2165	3911-FH	36	15565-FH	45	15513-FH	54																																																						
4"	5"	2168			15567-FH	45	15518-FH	54																																																						
4 1/2"	5"	2166			15568-FH	45	15517-FH	54																																																						
5"	5"	2167			15569-FH	45	15516-FH	54 </tr <tr> <td>4 1/2"</td> <td>5 1/2"</td> <td>2168</td> <td></td> <td></td> <td>15571-FH</td> <td>45</td> <td>15521-FH</td> <td>54</td> </tr> <tr> <td>5"</td> <td>5 1/2"</td> <td>2169</td> <td></td> <td></td> <td>15572-FH</td> <td>45</td> <td>15520-FH</td> <td>54</td> </tr> <tr> <td>5 1/2"</td> <td>5 1/2"</td> <td>2170</td> <td></td> <td></td> <td>15573-FH</td> <td>45</td> <td>15519-FH</td> <td>54</td> </tr> <tr> <td>5 7/8"</td> <td>7"</td> <td>2656</td> <td></td> <td></td> <td></td> <td></td> <td>86721-FH</td> <td>72</td> </tr> <tr> <td>6 5/8"</td> <td>7"</td> <td>2172</td> <td></td> <td></td> <td></td> <td></td> <td>86720-FH</td> <td>72</td> </tr> <tr> <td>7"</td> <td>7"</td> <td>2173</td> <td></td> <td></td> <td></td> <td></td> <td>86719-FH</td> <td>72</td> </tr>	4 1/2"	5 1/2"	2168			15571-FH	45	15521-FH	54	5"	5 1/2"	2169			15572-FH	45	15520-FH	54	5 1/2"	5 1/2"	2170			15573-FH	45	15519-FH	54	5 7/8"	7"	2656					86721-FH	72	6 5/8"	7"	2172					86720-FH	72	7"	7"	2173					86719-FH	72
4 1/2"	5 1/2"	2168			15571-FH	45	15521-FH	54																																																						
5"	5 1/2"	2169			15572-FH	45	15520-FH	54																																																						
5 1/2"	5 1/2"	2170			15573-FH	45	15519-FH	54																																																						
5 7/8"	7"	2656					86721-FH	72																																																						
6 5/8"	7"	2172					86720-FH	72																																																						
7"	7"	2173					86719-FH	72																																																						

TYPE	RATING (TONS)
SDS	75
SDML	125
SDXL	250



ROTARY SLIP REPLACEMENT PARTS

ITEM NO.	DESCRIPTION	QTY	3 1/2" SDS	4 1/2" SDS	3 1/2" SDML	4 1/2" SDML	5" SDML	5 1/2" SDML
-	SLIP COMPLETE, LESS INSERTS	-	3906	3912	15522-1	15565-1	15569-1	15573-1
1	SLIP SEGMENT - RIGHT	1	3919	3922	15526	15529	15532	15535
2	SLIP SEGMENT - CENTER	1	3920	3923	15525	15528	15531	15534
3	SLIP SEGMENT - LEFT	1	3921	3924	15527	15530	15533	15536
4	FLEX HANDLE W/ GUARD	3	98714-FLEX					
5	HANDLE PIN w/COTTER PIN	3	98717					
5.1	HANDLE PIN	--	98717-1					
5.2	COTTER PIN	--	30030-12-0					
6	HINGE PIN w/COTTER PIN	2	2190-1					
6.1	HINGE PIN	--	2190		2192			
6.2	COTTER PIN	--	30040-12-0					
7	RETAINING RING	3	3738	3739	3738	3739	3741	3740
8	SCREW	6	1006C-14-5					
9	NUT	6	6606C-00-5					
10	INSERT	VAR	VAR					
-	SPARE PART KIT	-	3900-SP		15500-SP			

ITEM NO.	DESCRIPTION	QTY	4 1/2" SDXL	5" SDXL	5 1/2" SDXL	7" SDXL
-	SLIP COMPLETE, LESS INSERTS	-	15562	15566	15570	86719-2
1	SLIP SEGMENT - RIGHT	1	15552	15558	15555	10544
2	SLIP SEGMENT - CENTER	1	15553	15559	15556	10542
3	SLIP SEGMENT - LEFT	1	15554	15560	15557	10543
4	FLEX HANDLE W/ GUARD	3	98714-FLEX			
5	HANDLE PIN w/COTTER PIN	3	98717			
5.1	HANDLE PIN	--	98717-1			
5.2	COTTER PIN	--	30030-12-0			
6	HINGE PIN w/COTTER PIN	2	2190-1			
6.1	HINGE PIN	--	2192			
6.2	COTTER PIN	--	30040-12-0			
7	RETAINING RING	3	3739	3741	3740	10567
8	SCREW	6	1006C-14-5			
9	NUT	6	6606C-00-5			
10	INSERT	VAR	VAR			
-	SPARE PART KIT	-	15500-SP			

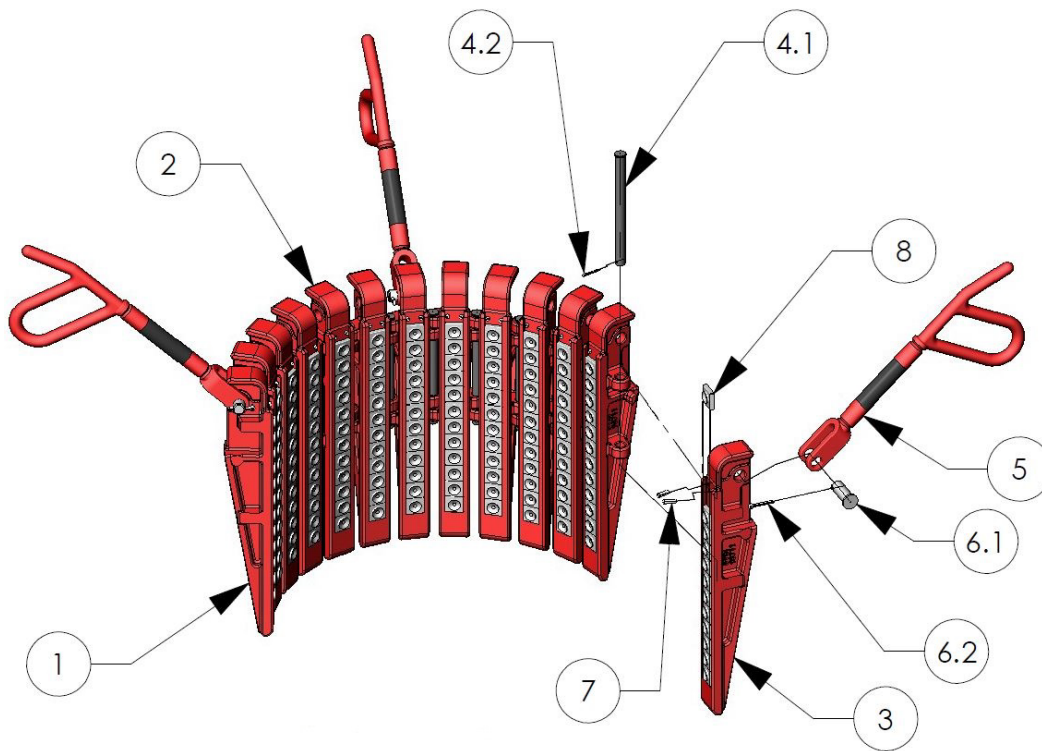
Casing Slips – CMSXL

SIZE (in)	PART NO. 4" TAPER	PART NO. 3" TAPER	# OF SEGMENTS	RATING (TONS)	BUTTON PART NO.	WEIGHT (lbs)
5 1/2"	98700-FH	-	11	165	2619	174
6 5/8"	98701-FH	-	12	180	2628	200
7"	98702-FH	-	12	180	2619	200
7 5/8" - 8"	98703-FH	-	12	180	2630	200
8 5/8"	98704-FH	-	13	195	2630	213
9 5/8" - 10"	98705-FH	98505-FH	14	210	2630	226
10 3/4"	98706-FH	98506-FH	15	225	2630	239
11 3/4"	98707-FH	98507-FH	17	255	2627	265
13 3/8"	98708-FH	98508-FH	18	270	2630	278
14"	98727-FH	-	18	270	2630	349
16"	98709-FH	98509-FH	21	315	2630	317
18 5/8"	98719-FH	98519-FH	25	375	2626	369
20"	98720-FH	98520-FH	26	390	2631	382
22"	98721-FH	98521-FH	28	420	2631	411
24"	98722-FH	98522-FH	30	450	2631	443
24 1/2"	98728-FH	-	31	465	2631	590
26"	98723-FH	98523-FH	33	495	2631	486
28"	98726-FH	-	35	500	2631	664
30"	98724-FH	98524-FH	37	500	2631	536
36"	98725-FH	98525-FH	44	500	2631	637

Sizes 5 1/2" to 8 5/8" have 3 handles, all others have 4 handles

Conductor Pipe Slips – CP

SIZE (in)	PART NO. 4" TAPER	SEGMENTS / SPACERS	RATING (TONS)	BUTTON PART NO.	WEIGHT (lbs)
24"	99725-FH	13 / 12	195	2631	276
26"	99726-FH	14 / 13	210	2631	296
30"	99727-FH	16 / 15	240	2631	319

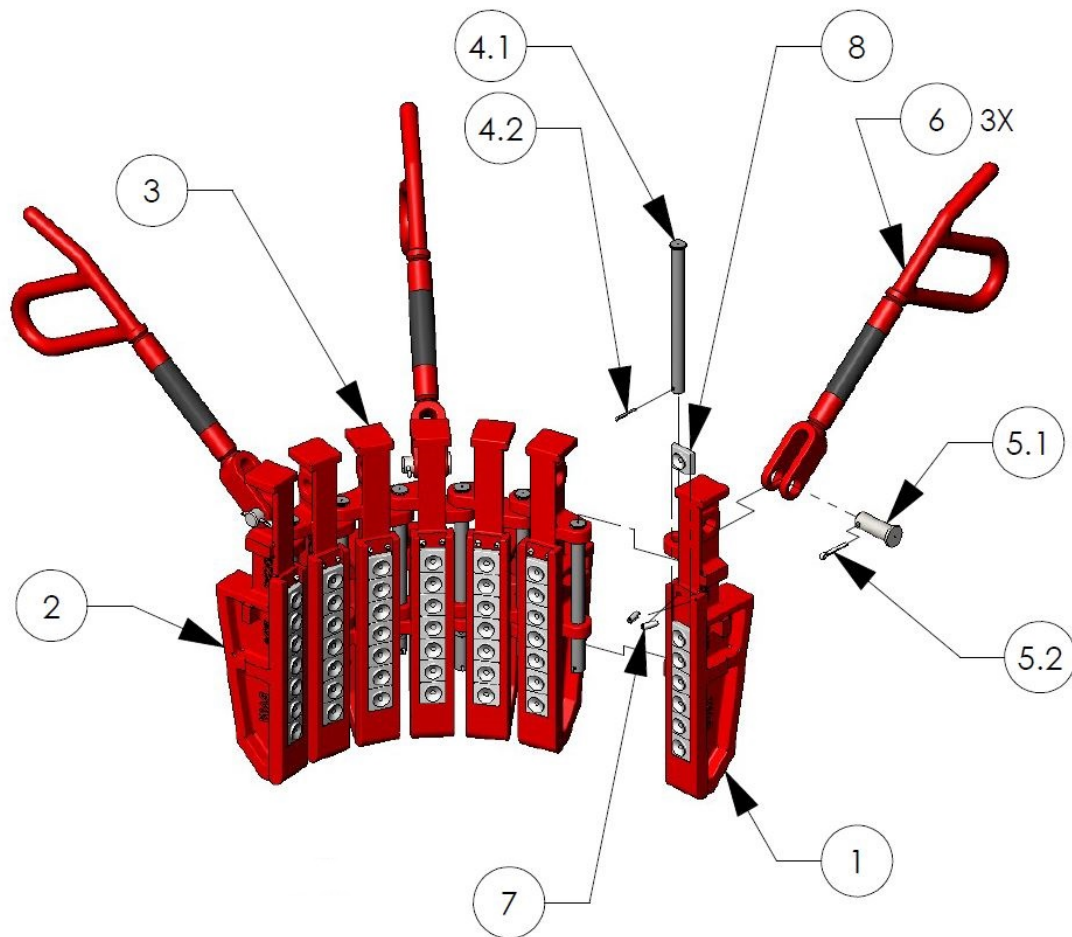


CMSXL / CP REPLACEMENT PARTS

ITEM NO.	DESCRIPTION	PART NO.	
		4" TAPER	3" TAPER
1	LEFT HAND SEGMENT	98710	987510
2	INTERMEDIATE SEGMENT	98711	98511
3	RIGHT HAND SEGMENT	98712	98512
4	HINGE PIN W/ COTTER	98715	
4.1	HINGE PIN	98715-1	
4.2	COTTER PIN	30020-08-0	
5	FLEXIBLE HANDLE	98714-FLEX	
6	HANDLE PIN W/ COTTER	98717	
6.1	HANDLE PIN	98717-1	
6.2	COTTER PIN	30030-10-0	
7	ROLL PIN	40040-06-0	
8	CIRCULAR BUTTON	VAR	
-	HINGE SPACER (CONDUCTOR PIPE ONLY)	99800	-
-	SPARE PART KIT (5 1/2" – 8 5/8")	98700-SP1	
-	SPARE PART KIT (9 5/8" – 16")	98700-SP2	
-	SPARE PART KIT (18 5/8" – 36")	98700-SP3	

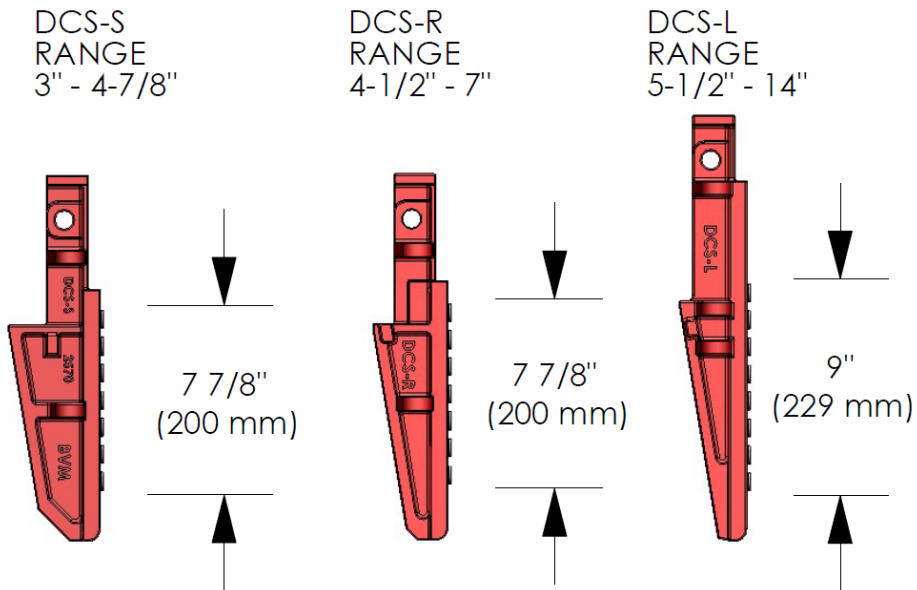
Drill Collar Slips

SIZE (in)	TYPE	PART NO.	SEGMENTS	RATING (TONS)	BUTTON PART NO.	USE IN BOWL	WEIGHT
3" - 4"	DCS-S	2572-FH	7	120	2628-49	No. 3 Reg or Ext	112
4" - 4 7/8"	DCS-S	2573-FH	7	120	2620-49	No. 3 Reg or Ext	103
4-1/2" - 6"	DCS-R	2552-FH	9	150	2628-63	No. 3 Reg or Ext	120
5-1/2" - 7"	DCS-R	2550-FH	9	150	2620-63	No. 3 Reg or Ext	112
5-1/2" - 7"	DCS-L	2501-FH	11	165	2513-88	No. 3 Reg or Ext	154
6-3/4" - 8 1/4"	DCS-L	2503-FH	11	165	2630-88	No. 3 Reg or Ext	154
8" - 9 1/2"	DCS-L	2507-FH	12	180	2630-96	No. 3 Reg or Ext	173
8-1/2" - 10"	DCS-L	2530-FH	13	195	2627-104	No. 2	185
9-1/4" - 11 1/4"	DCS-L	2508-FH	14	210	2630-112	No. 2	198
11" - 12 3/4"	DCS-L	2534-FH	17	255	2625-136	No. 1	213
12" - 14"	DCS-L	2536-FH	17	255	2630-136	No. 1	207



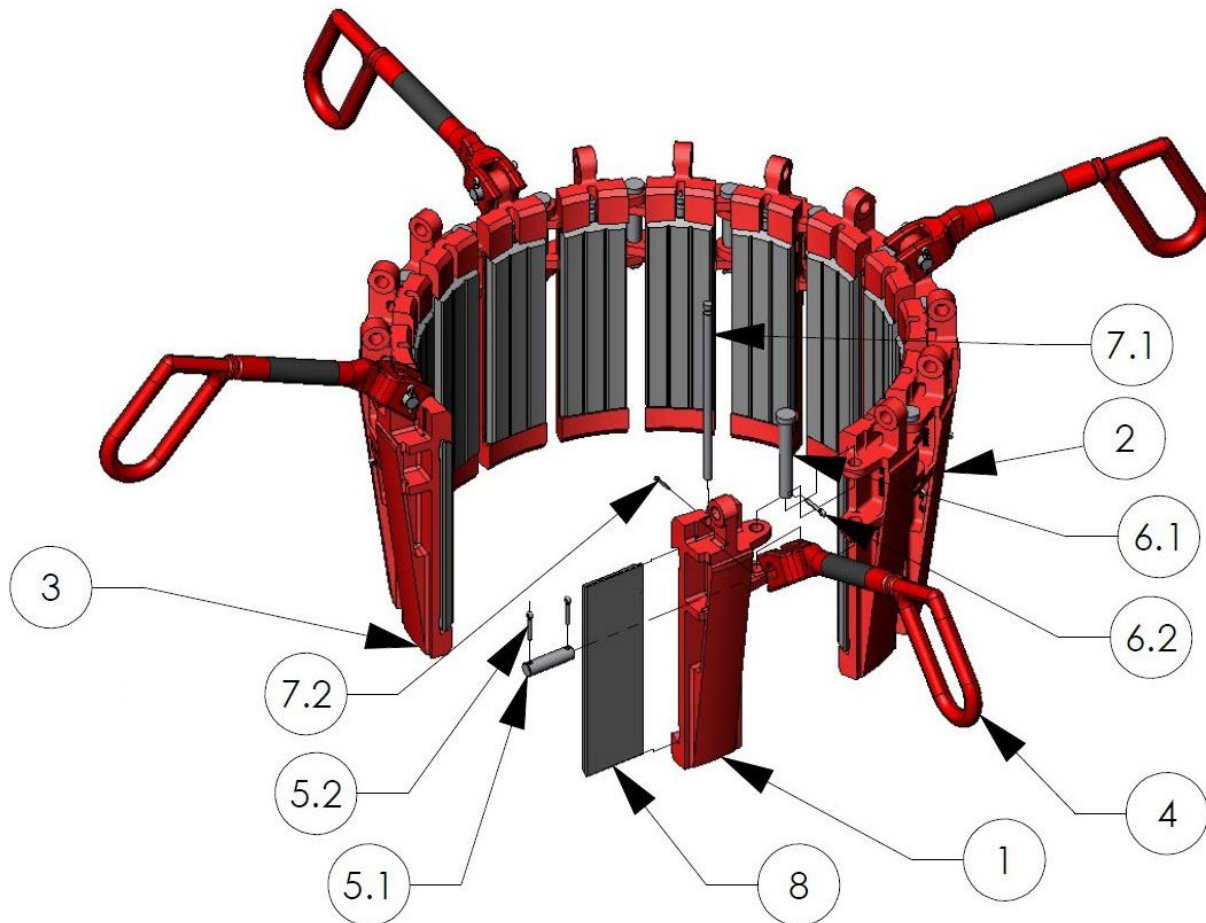
DCS REPLACEMENT PARTS

ITEM NO.	DESCRIPTION	PART NO.		
		DCS-S	DCS-R	DCS-L
1	RIGHT END SEGMENT	2568	2554	2510
2	LEFT END SEGMENT	2569	2555	2511
3	INTERMEDIATE SEGEMENT	2570	2556	2512
4	HINGE PIN w/COTTER PIN	2525	2525	2520
4.1	HINGE PIN	2525-1	2525-1	2520-1
4.2	COTTER PIN	30020-08-0		
5	HANDLE PIN w/COTTER PIN	98717		
5.1	HANDLE PIN	98717-1		
5.2	COTTER PIN	30030-10-0		
6	FLEX HANDLE	98714-FLEX		
7	ROLL PIN	40040-06-0		
8	CIRCULAR BUTTON	VAR		
-	SPARE PART KIT	2503-SP	2503-SP	2507-SP



UC-3 Slips

SIZE	PART NO.	LINER PART NO.	WEIGHT (lbs)	SEGMENT & LINER QTY	HANDLE QTY
9 5/8"	7704-5029-FH	7704-A-9	180	10	3
10 3/4"	77004-5028-FH	7704-A-8	180	10	3
11 3/4"	7704-5027-FH	7704-A-39	195	12	4
12 3/4"	7704-5026-FH	7704-A-92	195	12	4
13 3/8"	7704-5025-FH	7704-A-38	222	12	4
16"	7704-5036-FH	7704-A-45	226	14	4
18 5/8"	7704-5035-FH	7704-A-5000	283	17	4
20"	7704-5034-FH	7704-A-99	312	17	4
24"	7704-5001-FH	7704-A-99	325	19	4
26"	7704-5006-FH	7704-A-100	346	21	4
30"	7704-5005-FH	7704-A-100	367	24	4
36"	7704-5007-FH	7704-A-100	437	28	6
42"	7704-5019-FH	7704-A-100	495	32	6

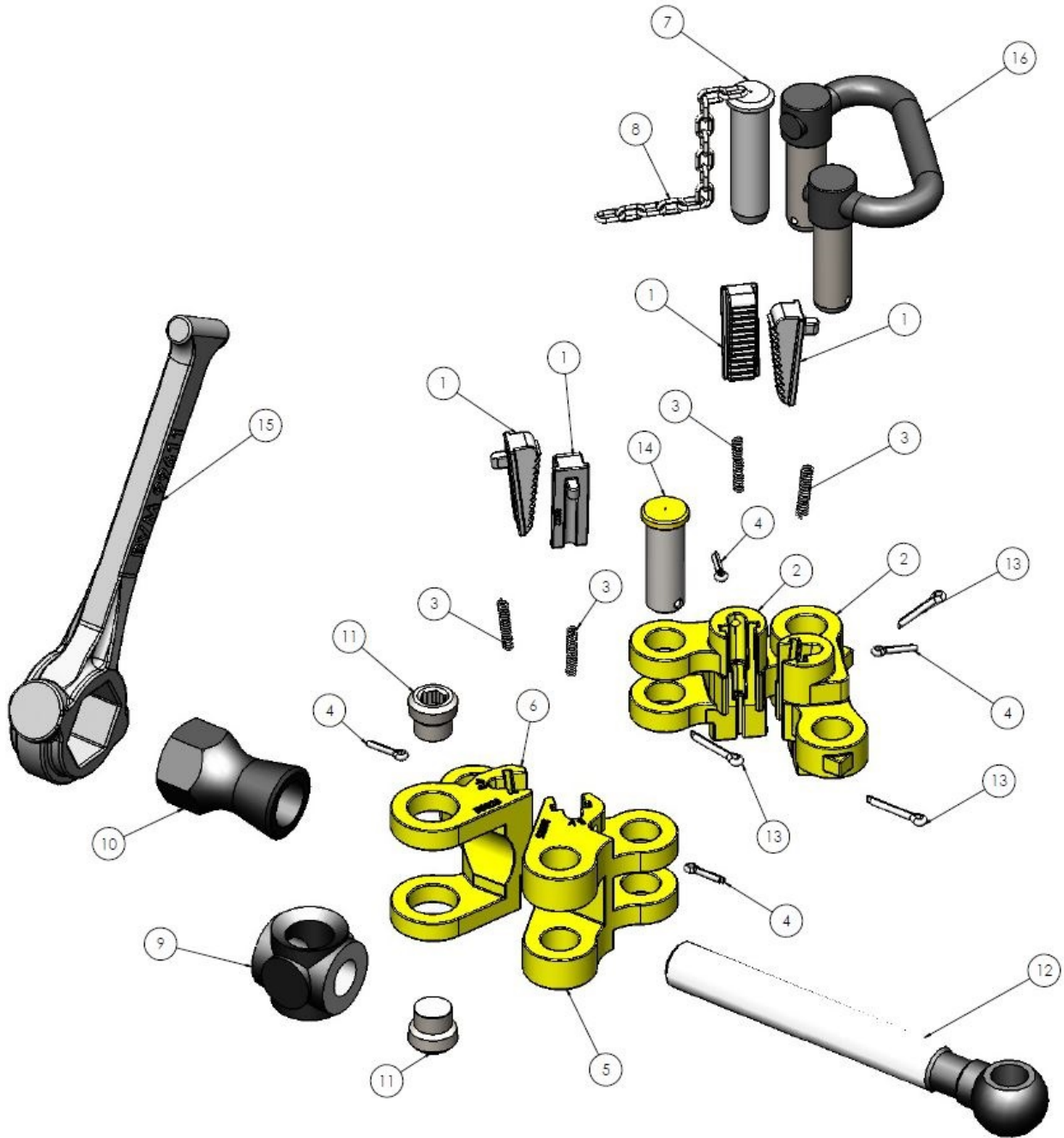


UC-3 REPLACEMENT PARTS

ITEM NO.	DESCRIPTION	PART NO.
1	RIGHT HAND SEGMENT	82236
2	INTERMEDIATE SEGMENT	82235
3	LEFT HAND SEGMENT	82237
4	FLEX HANDLE	82245-FLEX
5	HANDLE PIN W/ COTTER	82240
5.1	HANDLE PIN	82240-1
5.2	COTTER PIN	30030-08-0
6	HINGE PIN W/ COTTER	82230
6.1	HINGE PIN	82230-1
6.2	COTTER PIN	30030-08-0
7	INSERT RETAINER W/ COTTER	82250
7.1	INSERT RETAINER	82250-1
7.2	COTTER PIN	30020-06-0
8	SLIP LINER	VAR
-	SPARE PART KIT	7704-A-SP2

T Safety Clamps

PART NO.	SIZE	LINKS	WEIGHT
88000	1 1/8" - 2"	4	36
88001	2 1/8" - 3 1/4"	5	40
88002	3 1/4" - 4 1/2"	6	42

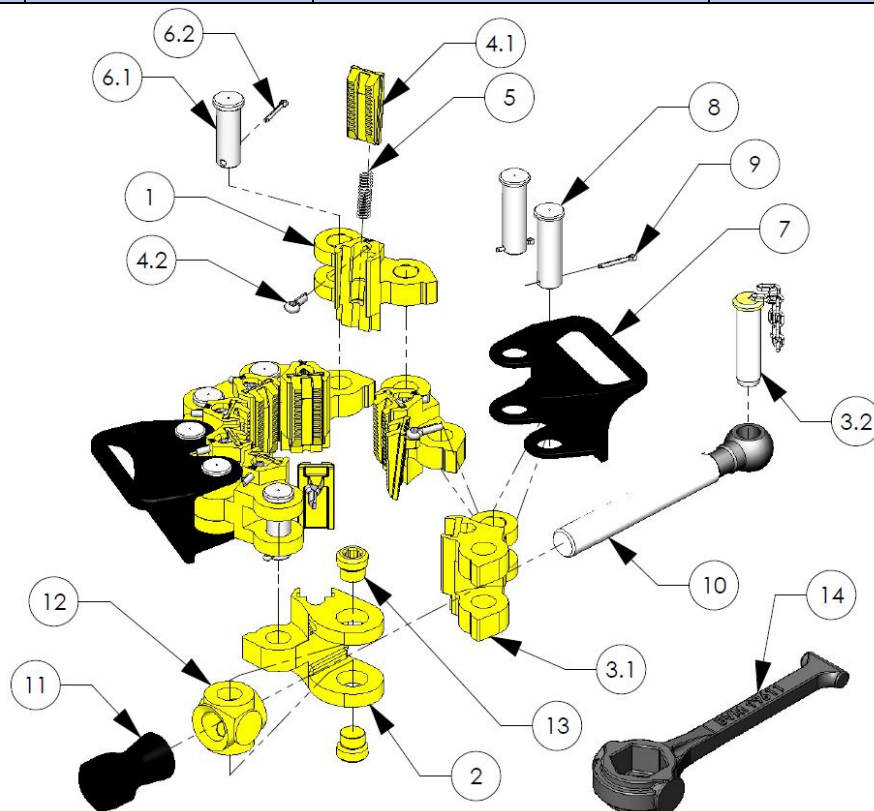


T SAFETY CLAMP REPLACEMENT PARTS

ITEM NO.	DESCRIPTION	QTY			PART NO.
		88000	88001	88002	
1	INSERT	4	5	6	88022
2	LINK INTERMEDIATE	2	3	4	88021
3	SPRING FOR INSERT	4	5	6	88024
4	COTTER PIN	4	5	6	30030-06-0
5	END LINK	1	1	1	88025
6	END LINK PIVOT BLOCK	1	1	1	88026
7	END LINK PIN	1	1	1	99610-1
8	CHAIN LINK	13	13	13	99610-2
9	PIVOT BLOCK	1	1	1	99605
10	NUT	1	1	1	99606
11	PIVOT PIN	2	2	2	99614
12	SCREW	1	1	1	99604
13	COTTER PIN	3	4	5	30030-10-0
14	INTERMEDIATE LINK PIN	1	2	3	99607-1
15	WRENCH	1	1	1	99611
16	HANDLE	1	1	1	88027
-	BOX	-	-	-	99612-T
-	SPARE PART KIT	-	-	-	88000-SP

C Safety Clamps

PART NO.	TYPE	SIZE	LINKS	WEIGHT
99500	CS	3 3/4" - 4 5/8"	7	58
99501	CS	4 1/2" - 5 5/8"	8	64
99502	CS	5 1/2" - 6 5/8"	9	70
99503	CS	6 1/2" - 7 5/8"	10	76
99504	CS	7 1/2" - 8 5/8"	11	81
99505	CS	8 1/2" - 9 5/8"	12	86
99506	CS	9 1/2" - 10 5/8"	13	91
99507	CM	10 1/2" - 11 5/8"	14	95
99508	CM	11 1/2" - 12 5/8"	15	100
99509	CM	12 1/2" - 13 5/8"	16	104
99510	CM	13 1/2" - 14 5/8"	17	108
99511	CM	14 1/2" - 15 5/8"	18	113
99512	CL	15 1/2" - 18"	18	140
99513	CL	16 1/2" - 19"	19	146
99514	CL	17 1/2" - 20"	20	152
99515	CL	18 1/2" - 21"	21	156
99516	CL	19 1/2" - 22"	22	161
99517	CL	21 1/2" - 23"	24	196
99518	CL	24" - 26"	28	225
99519	CL	29 1/2" - 31"	34	229
99525	CL	35 1/2" - 37"	38	234
99526	CL	41 1/2" - 43"	44	244

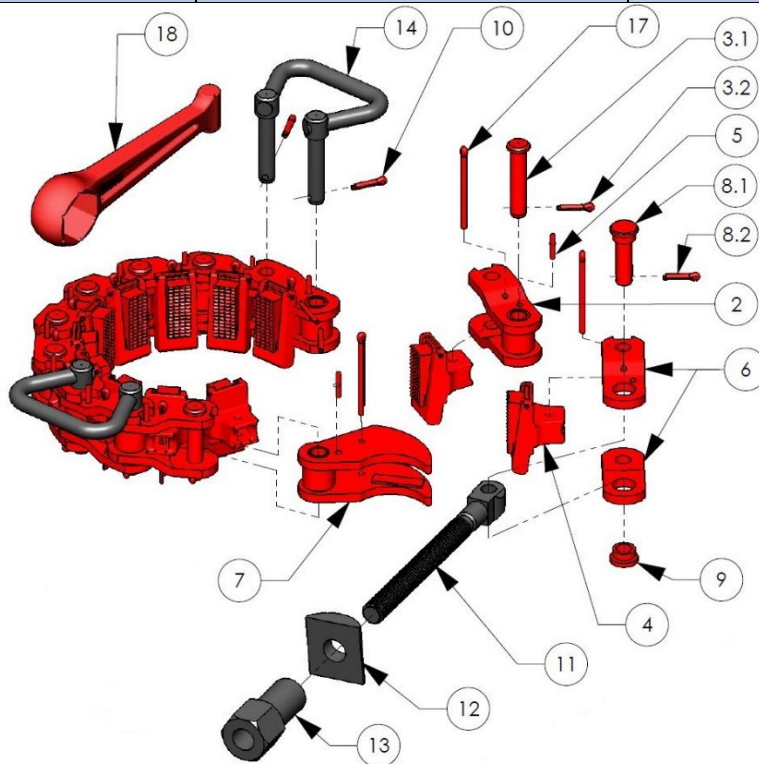


C SAFETY CLAMP REPLACEMENT PARTS

ITEM NO.	DESCRIPTION	CS & CM QTY	CL QTY	PART NO.
--	COMPLETE LINK ASSEMBLY (ITEMS 1, 4, 5, & 6)	--	--	99613
1	CENTER LINK	AR	AR	99601
2	END LINK PIVOT BLOCK	1	2	99600
3	END LINK & PIN ASSEMBLY	1	2	99620
3.1	END LINK	--	--	99602
3.2	END LINK PIN	--	--	99610-1
3.3	CHAIN	--	--	99610-2
4	INSERT w/COTTER PIN	AR	AR	99608-1
4.1	INSERT	1/Item 4	1/Item 4	99608
4.2	COTTER PIN	1/Item 4	1/Item 4	30030-06-0
5	INSERT SPRING	AR	AR	99609
6	INTERMEDIATE LINK PIN w/COTTER PIN	AR	AR	99607
6.1	INTERMEDIATE LINK PIN	1/Item 6	1/Item 6	99607-1
6.2	COTTER PIN	1/Item 6	1/Item 6	30030-10-0
7	HANDLE	2	4	99603
8	HANDLE LINK PIN	4	8	99617
9	COTTER PIN	4	8	30030-10-0
10	SCREW	1	2	99604
11	NUT	1	2	99606
12	PIVOT BLOCK	1	2	99605
13	PIVOT BLOCK SCREW	2	4	99614
14	NUT WRENCH	1	1	99611
-	SAFETY CLAMP BOX	-	-	99612-C
-	C CLAMP SPARE PARTS KIT	-	-	99000-SP

MP Safety Clamps

PART NO.	TYPE	SIZE	LINKS/DIES	WEIGHT
33030	MP-S	2 7/8" - 4 1/8"	6 / 8	83
33031	MP-S	4" - 5"	7 / 9	91
33011	MP-R	4 1/2" - 5 5/8"	6 / 8	81
33012	MP-R	5 1/2" - 7"	7 / 9	89
33013	MP-R	6 3/4" - 8 1/4"	8 / 10	97
33014	MP-R	8" - 9 1/4"	9 / 11	105
33015	MP-R	9 1/4" - 10 1/2"	10 / 12	113
33016	MP-M	10 1/2" - 11 1/2"	11 / 13	121
33017	MP-M	11 1/2" - 12 1/2"	12 / 14	129
33018	MP-M	12 1/2" - 13 5/8"	13 / 15	137
33019	MP-M	13 5/8" - 14 3/4"	14 / 16	145
33020	MP-M	14 3/4" - 15 7/8"	15 / 17	153
33021	MP-L	15 7/8" - 17"	16 / 18	173
33022	MP-L	17" - 18 1/8"	17 / 19	181
33023	MP-L	18 1/8" - 19 3/8"	18 / 20	189
33024	MP-XL	19 3/8" - 20 3/8"	18 / 20	195
33025	MP-XL	20 3/8" - 21 1/2"	19 / 21	204
33032	MP-XL	21" - 22 5/8"	20 / 22	213
33033	MP-XL	22 5/8" - 23 3/4"	21 / 23	222
33034	MP-XL	23 3/4" - 24 7/8"	22 / 24	231
33035	MP-XL	24 7/8" - 26"	23 / 25	240
33036	MP-XL	26" - 27 1/8"	24 / 26	249
33039	MP-XL	29 3/8" - 30 1/2"	27 / 29	276
33044	MP-XL	35" - 36 1/8"	32 / 34	321

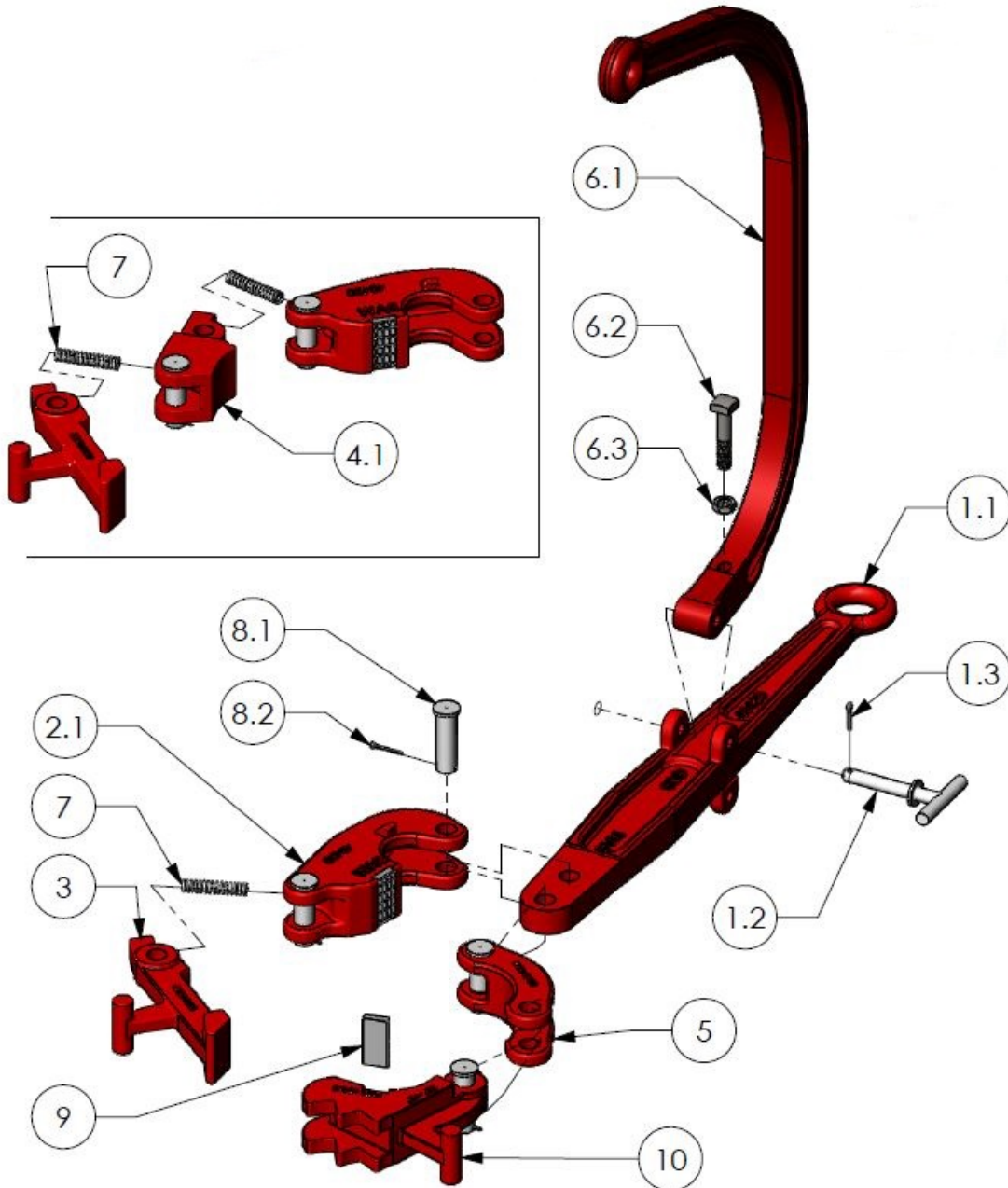


MP SAFETY CLAMP REPLACEMENT PARTS

ITEM NO.	DESCRIPTION	QTY	PART NO.
1	LINK, COMPLETE (items 2, 3, & 4)	AR	3319
	LINK, COMPLETE (for MP-S only) (items 2, 3, & 4)	AR	3335
2	LINK	AR	3306
3	INTERMEDIATE PIN w/COTTER PIN	AR	3307
3.1	INTERMEDIATE PIN	--	3307-1
3.2	COTTER PIN	--	30050-10-0
4	CARRIER ASSEMBLY, DIE	AR	3324
	CARRIER ASSEMBLY, DIE for MP-S	AR	3325
4.1	DIE GRIP	1	3310
	DIE GRIP for MP-S ONLY	1	3333
4.2	CARRIER DIE	1	3309
4.3	SPRING	1	3311
4.4	ROLL PIN	1	40040-16-0
5	DOWEL PIN	AR	50060-07-0
6	BARS, LINK SIDE, PAIR	1	3318
7	LINK, LATCH	1	3304
	LINK, LATCH for MP-XL only	1	3321
8	SCREW PIN (w/COTTER PIN)	1	3308
8.1	SCREW PIN	--	3308-1
8.2	COTTER PIN	--	30050-10-0
9	BUSHING, SCREW PIN	1	3315
10	COTTER PIN (1 per link pin)	AR	30050-10-0
11	SCREW	1	3302
12	THRUST WASHER	1	2714
13	NUT	1	3303
14	HANDLE (MP-S, MP-R & MP-M)	2	3305
	HANDLE (MP-L & MP-XL)	4	
15	HOLDDOWN LUG (2 req: for MP-S, MP-R & MP-M; 4 req: for MP-L & MP-XL)	OPT	3316
16	LARGE HANDLE (MP-S, MP-R & MP-M)	2	3317
	LARGE HANDLE (MP-L & MP-XL)	4	
17	COTTER PIN	AR	30050-32-0
18	WRENCH	1	3320
19	CASE	1	3331
	CASE for MP-XL only	1	3334
-	SPARE PART KIT	-	3300-MP-SP

MS Manual Tong (6,500 FT-LBS)

PART NO.	DESCRIPTION	SIZE	WEIGHT
40423	MS TONG, LESS LUG JAWS	1.9" - 4 1/2"	42
40427	MS TONG, LESS LUG JAWS	4 1/2" - 6 1/8"	42
40436-1	LUG JAW - 6,500 FT-LBS	1.9" - 2 1/16"	4
40437-1	LUG JAW - 6,500 FT-LBS	2 3/8" - 3.668"	4.5
40438-1	LUG JAW - 6,500 FT-LBS	3 1/2" - 4 1/2"	5.5
40439-1	LUG JAW - 6,500 FT-LBS	4 1/2" - 5 1/4"	6
40441-1	LUG JAW - 6,500 FT-LBS	5 1/4" - 6 1/8"	6.5



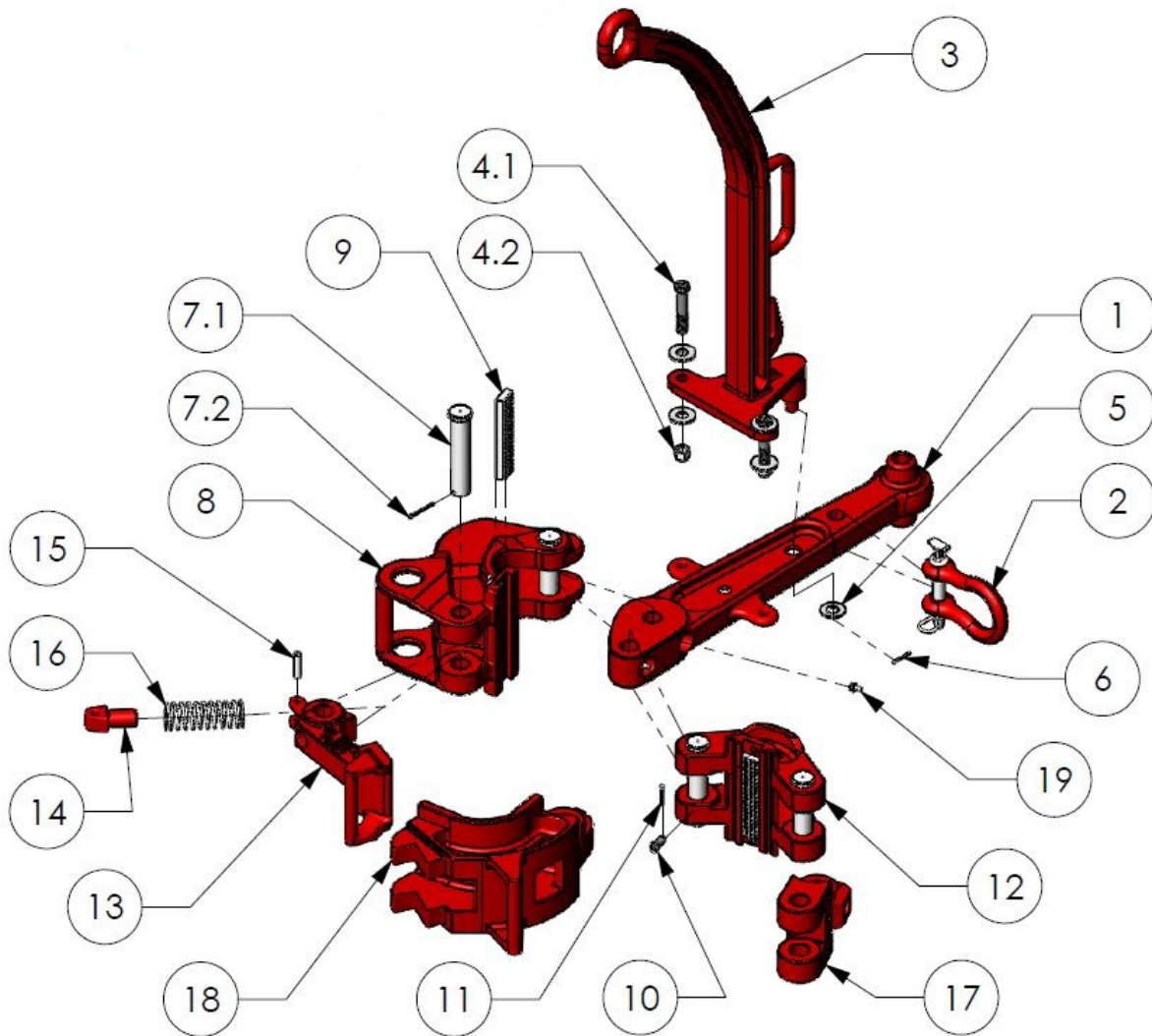
MS TONG REPLACEMENT PARTS

ITEM NO.	DESCRIPTION	QTY	PART NO.
1	LEVER ASSEMBLY	1	40429-1
1.1	LEVER	--	40429
1.2	BOLT	--	1408C-26-8
1.3	LOCK NUT	--	6208C-00-0
2	LONG JAW ASSEMBLY (ITEM 2.1A, 8, & 9)	1	40430-1
2.1	LONG JAW	--	40430
3	LATCH	1	40432
4	LATCH JAW ASSEMBLY (4 1/2" TO 6 1/8") INCLUDES ITEM 4.1, 8, & 9	1	40443-1
4.1	LATCH JAW (4 1/2" TO 6 1/8")	--	40443
5	SHORT JAW (1.9" TO 3 1/2")	1	40431
	SHORT JAW (4 1/2" TO 6 1/8")	1	40442
6	HANGER ASSEMBLY	1	40435-1
6.1	HANGER	--	40435
6.2	SCREW	--	8008C-20-8
6.3	NUT	1	6108C-00-8
7	LATCH SPRING	1*	40434
8	HINGE PIN ASSEMBLY	--	40433-1
8.1	HINGE PIN REMOVABLE	--	40433
8.2	COTTER PIN	--	30020-08-0
9	DIE	AR	40440
10	LUG JAW	1	VAR
-	SPARE PART KIT	-	40423-SP

* = WHEN ITEM 4 (LATCH JAW) IS USED, QUANTITY = 2

LF Manual Tong (14,000 FT-LBS)

PART NO.	DESCRIPTION	SIZE	WEIGHT
80121	LF TONG, LESS LUG JAWS	-	52
80911	LUG JAW - 10,000 FT-LBS	2 3/8" - 3 1/2"	12
80912	LUG JAW - 10,000 FT-LBS	3 1/2" - 5 3/8"	15
80913	LUG JAW - 14,000 FT-LBS	4 3/4" - 6 1/4"	24
80930	LUG JAW - 12,000 FT-LBS	5 3/4" - 7 1/4"	35
80931-1	LUG JAW & HINGE JAW ASY - 10,000 FT-LBS	7 1/4" - 8 5/8"	56



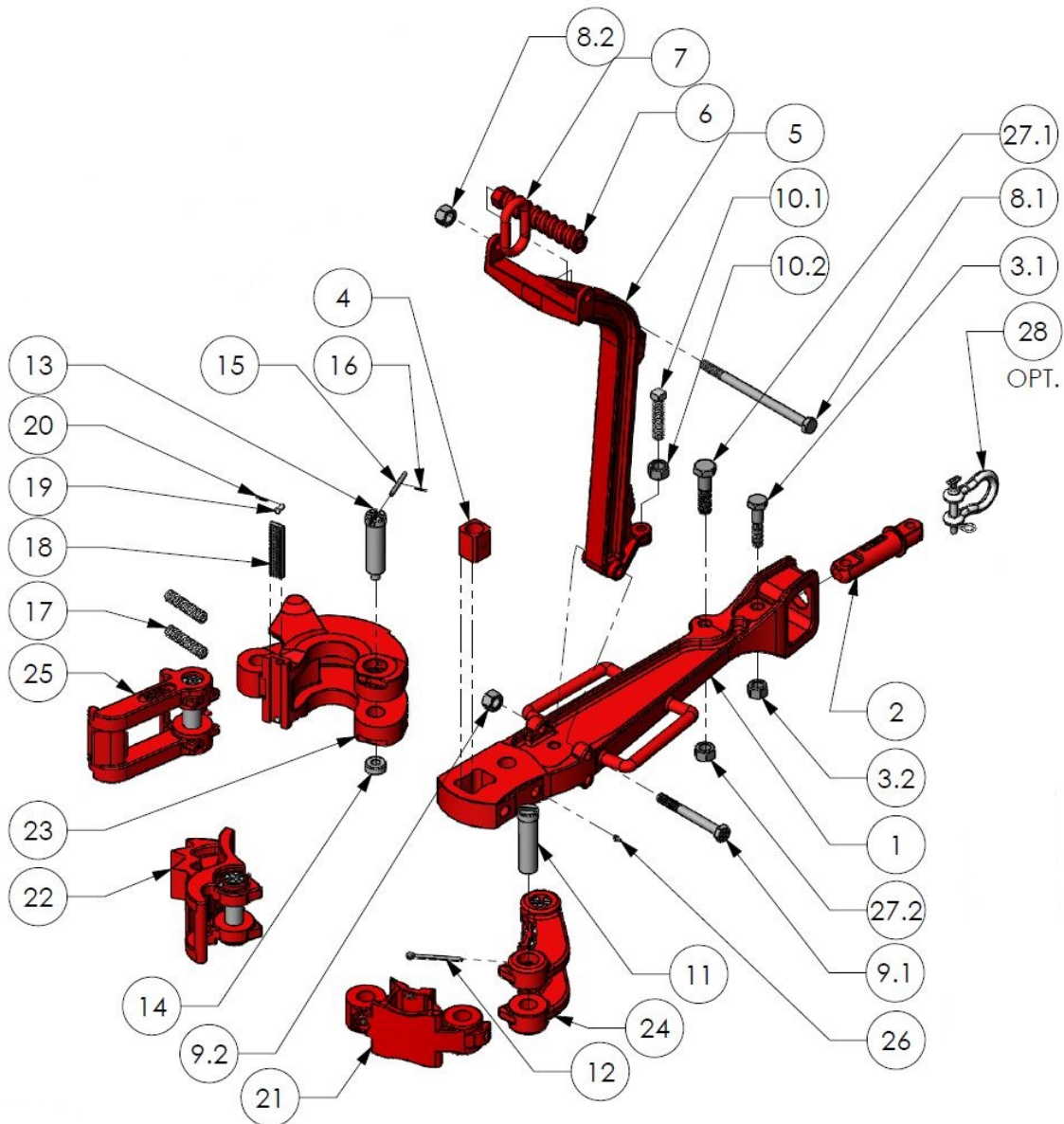
LF TONG REPLACEMENT PARTS

ITEM NO.	DESCRIPTION	QTY	PART NO.
--	LEVER ASSEMBLY	-	80908-1
1	LEVER	1	80908
2	CLEVIS ASSEMBLY	-	45711
--	HANGER ASSEMBLY	-	80916-1
3	HANGER	1	80916
4	HANGER BOLT & NUT	2	--
4.1	BOLT	-	1408C-22-5
4.2	LOCKNUT	-	6608C-00-5
5	FLAT WASHER	5	22080-00-0
6	COTTER PIN	1	30020-08-0
7	HINGE PIN w/COTTER PIN	AR	80921
7.1	HINGE PIN	-	80921-1
7.2	COTTER PIN	-	30AB0-12-0
--	LONG JAW ASSEMBLY (ITEMS 8, 9, 10, 11)	-	80909-1
8	LONG JAW	1	80909
9	TONG DIE	AR	80401
10	CLEVIS PIN	AR	55060-06-0
11	COTTER PIN	-	30020-08-0
--	SHORT JAW ASSEMBLY (ITEMS 9, 10, 11, 12)	-	80910-1
12	SHORT JAW	1	80910
--	LATCH ASSEMBLY	-	80914-1
13	LATCH	1	80914
14	LATCH SPRING PLUNGER	1	80915
15	LATCH SPRING PLUNGER PIN	1	40060-12-0
16	LATCH SPRING	1	80920
17	HINGE JAW FOR 80931 LUG JAW	1	80932
18	LUG JAW	1	VAR
--	LUG JAW 7 1/4" TO 8 5/8" w/HINGE	-	80931-1
19	GREASE FITTING	4	940308-1
-	SPARE PART KIT	-	80121-SP

C Manual Tong (35,000 FT-LBS)

PART NO.	DESCRIPTION	SIZE	WEIGHT
75117-L	C TONG WITH 40-1/2" LEVER, LESS LUG JAWS	-	276
75117-S	C TONG WITH 30-7/8" LEVER, LESS LUG JAWS	-	266
75728-1	LUG JAW - 15,000 FT-LBS	2 3/8" - 3.668"	33
75727-1	LUG JAW - 15,000 FT-LBS	2 7/8" - 4 1/4"	30
75939-4	LUG JAW - 25,000 FT-LBS	3 1/2" - 5 1/4"	44
75943-1	LUG JAW - 25,000 FT-LBS	4 1/2" - 6 1/2"	42
75940-2	LUG JAW - 35,000 FT-LBS	5 1/4" - 7"	46
75701-1	LUG JAW - 25,000 FT-LBS	7" - 8 5/8"	58
75703-1	LUG JAW - 32,000 FT-LBS	9 5/8" - 10 3/4"	80

Add SH to part number to add Safety Handle (Bumper)

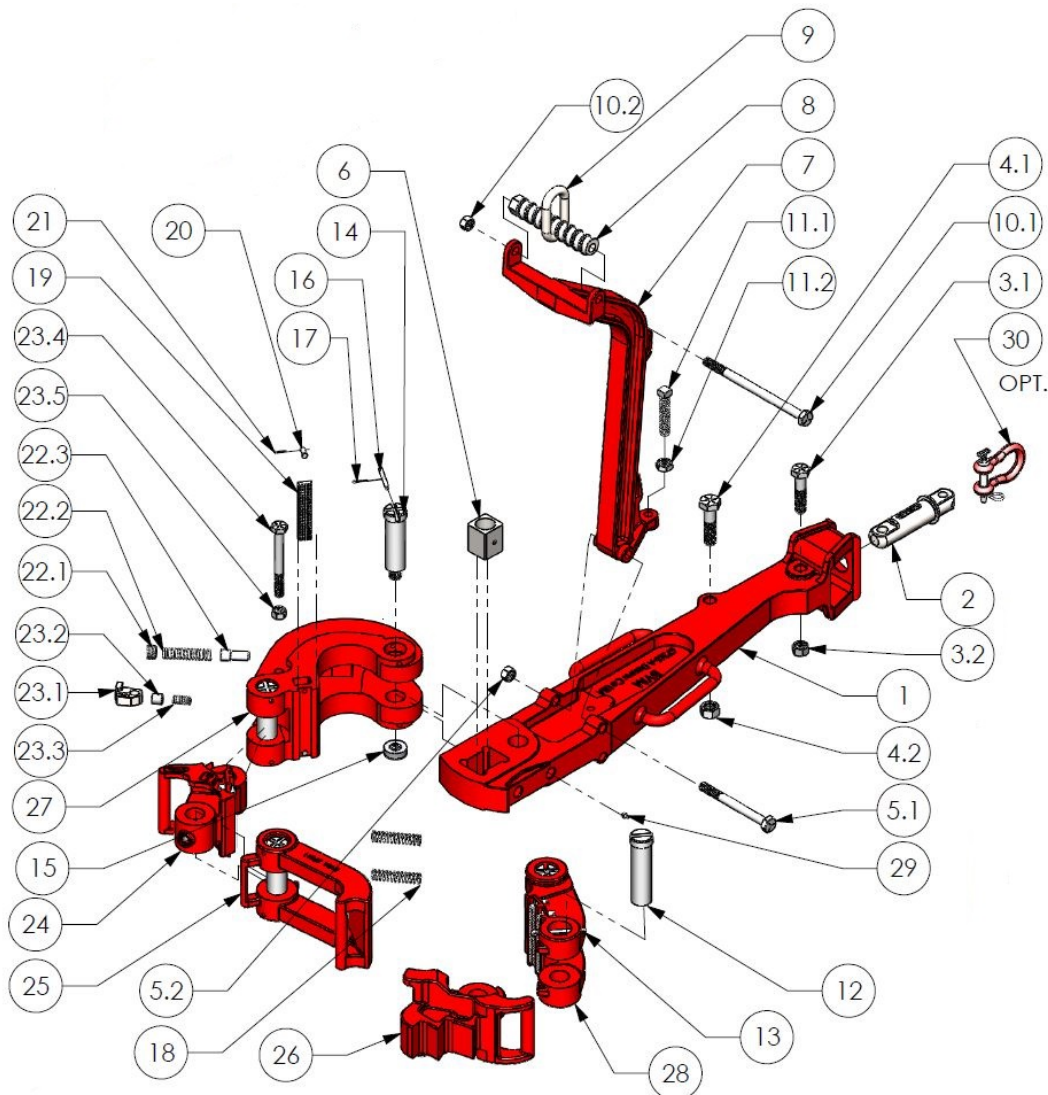


C TONG REPLACEMENT PARTS

ITEM NO.	DESCRIPTION	QTY	PART NO.
1	40 1/2" LEVER	1	75180-A
	30 7/8" LEVER		75180-B
2	TONG LINE PIN	1	67269
3	TONG BOLT & NUT	1	75182
3.1	BOLT	-	1414C-32-8
3.2	LOCKNUT	-	6214C-00-8
4	LEVER PIN BLOCK	1	75183
--	HANGER ASSEMBLY	-	67264-1
5	HANGER	1	67264
6	HANGER BALANCING SCREW	1	67258
7	SUSPENSION RING	1	67267
8	HANGER BALANCING BOLT & NUT	1	67266
8.1	BOLT	-	1412C-96-5
8.2	LOCKNUT	-	6212C-00-5
9	HANGER BOLT, NUT & COTTER PIN	1	--
9.1	BOLT	-	1412C-56-5
9.2	LOCKNUT	-	6212C-00-5
10	ADJUSTMENT BOLT & NUT	1	67268
10.1	BOLT	-	8014C-32-5
10.2	NUT	-	6114C-00-0
11	HINGE PIN - REMOVABLE	1	75656
12	COTTER PIN	1	30050-32-0
13	HINGE PIN - THREADED	4	75657
14	HINGE PIN NUT	4	75658
15	HINGE PIN RETAINER PIN	4	67423
16	COTTER PIN	4	30020-06-0
17	LATCH SPRING	2	67429
18	TONG DIE	4	80401
19	CLEVIS PIN	AR	55060-06-0
20	COTTER PIN	8	30020-06-0
21	HINGE JAW 7" TO 8 5/8"	-	75702
	HINGE JAW 9 5/8" TO 10 3/4"	-	75704
-	LONG JAW ASSEMBLY – (ITEMS 18, 19, 20, 23, 26)	-	75801-1
23	LONG JAW	1	75801
-	SHORT JAW ASSEMBLY (ITEMS 18, 19, 20, 24)	-	75802-1
24	SHORT JAW	1	75802
25	LATCH	1	75699
26	GREASE FITTINGS	AR	940308-1
27	BOLT & NUT	1	--
27.1	BOLT	-	1416C-32-8
27.2	LOCKNUT	-	6216C-00-8
28	CLEVIS ASSEMBLY (OPTIONAL)	-	45711
-	SAFETY BUMPER ASSEMBLY (SET; OPTIONAL)	-	45729-1
-	SPARE PART KIT	-	75117-SP

B Manual Tong (55,000 FT-LBS)

PART NO.	DESCRIPTION	SIZE	WEIGHT
67114	B TONG WITH 48" LEVER, LESS LUG JAWS	-	518
67114-1	B TONG WITH 36" LEVER, LESS LUG JAWS	-	467
67765-1	LUG JAW 35,000 FT-LBS	3 1/2" - 5"	30
67927-1	LUG JAW 55,000 FT-LBS	4" - 5 1/2"	32
67196-1	LUG JAW 55,000 FT-LBS	4 1/4" - 6 3/4"	43
67622-1	LUG JAW 55,000 FT-LBS	5" - 6 3/4"	37
67195-1	LUG JAW 55,000 FT-LBS	6 5/8" - 9"	43
67297-1	LUG JAW 40,000 FT-LBS	9" - 10 3/4"	60
67285-1	LUG JAW 30,000 FT-LBS	11 3/4"	62
67569-1	LUG JAW 30,000 FT-LBS	12 3/4"	73
67592-1	LUG JAW 30,000 FT-LBS	13 3/8"	72
Add SH to part number to add Safety Handle (Bumper)			



B TONG REPLACEMENT PARTS

ITEM NO.	DESCRIPTION	QTY	PART NO.
1	-A	48" LEVER	67265-A
	-B	36" LEVER	67265-B
2	TONG LINE PIN	1	67269
3	TONG BOLT & NUT	1	67270
3.1	BOLT	-	1414C-36-8
3.2	LOCKNUT	-	6214C-00-8
4	BOLT & NUT	1	67270-1
4.1	BOLT	-	1416C-32-5
4.2	LOCKNUT	-	6216C-00-5
5	HANGER BOLT & NUT	1	67263-1
5.1	TONG HANGER BOLT	-	1412C-64-5
5.2	LOCKNUT	-	6212C-00-5
6	LEVER PIN BLOCK	1	67271
--	HANGER ASSEMBLY (ITEMS 7, 8, 9, 10, 11)	-	67264-1
7	HANGER	1	67264
8	HANGER BALANCING SCREW	1	67258
9	SUSPENSION RING	1	67267
10	HANGER BALANCING BOLT & NUT	1	67266
10.1	BOLT	-	1412C-96-5
10.2	LOCKNUT	-	6212C-00-5
11	ADJUSTMENT BOLT & NUT	1	67268
11.1	BOLT	-	8014C-32-5
11.2	NUT	-	6114C-00-5
12	HINGE PIN - REMOVABLE	1	67494
13	COTTER PIN	1	30050-32-0
14	HINGE PIN - THREADED	4	67261
15	HINGE PIN NUT	4	67141
16	HINGE PIN RETAINER PIN	4	67423
17	COTTER PIN	4	30020-08-0
18	LATCH SPRING	2	67429
19	TONG DIE	4	67430
20	CLEVIS PIN	8	55060-06-0
21	COTTER PIN	8	30020-06-0
22	BOOSTER PLUNGER ASSEMBLY	-	67361-1
22.1	BOOSTER SPRING RETAINER PLUG	1	67361-4
22.2	BOOSTER PLUNGER SPRING	1	67361-2
22.3	BOOSTER PLUNGER	1	67361-3
23	ADJUSTABLE STOP ASSEMBLY	-	67364-1
23.1	ADJUSTABLE STOP	1	67364
23.2	END CAP	1	67364-4

ITEM NO.	DESCRIPTION	QTY	PART NO.
23.3	ADJUSTABLE STOP SPRING	1	67364-2
23.4	BOLT	1	1412C-56-8
23.5	LOCKNUT	1	6212C-00-8
24	LATCH JAW	1	67610
--	LATCH ASSEMBLY (ITEMS 15, 18, 25)	-	67611-1
25	LATCH	1	67611
26	LUG JAW	1	VAR
--	LONG JAW ASSEMBLY (ITEMS 15, 19, 20, 21, 22, 23, 27)	-	67502-1
27	LONG JAW	1	67502
--	SHORT JAW ASSEMBLY (ITEMS 15, 19, 20, 21, 28)	-	67701-1
28	SHORT JAW	1	67701
29	GREASE FITTINGS	AR	940308-1
30	CLEVIS ASSEMBLY (OPTIONAL)	-	45711
-	SAFETY BUMPER ASSEMBLY (SET; OPTIONAL)	-	45729-1
-	SPARE PART KIT	-	67114-SP

B Casing Manual Tong (25,000 FT-LBS)

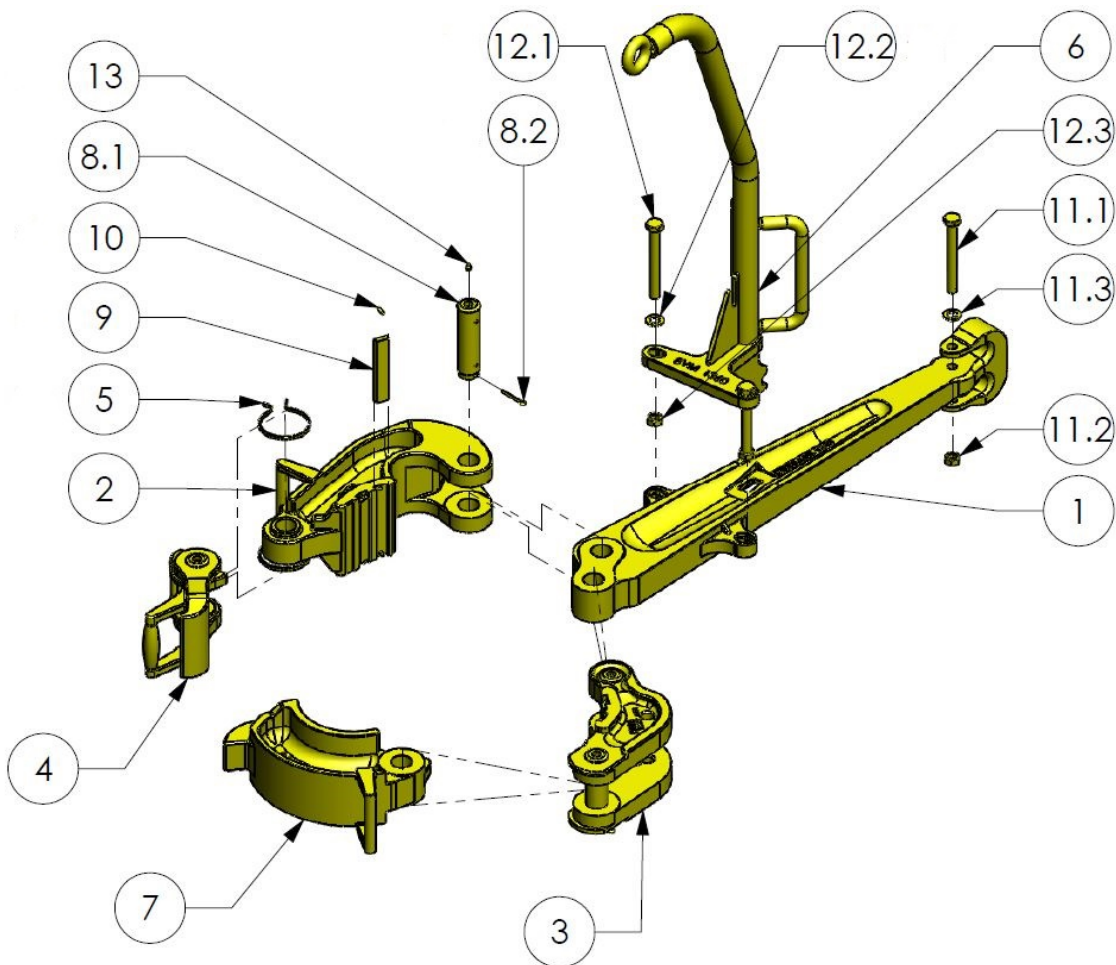
PART NO.	DESCRIPTION	SIZE	WEIGHT
67265-1	48" LEVER ASSEMBLY	-	155
67265-2	36" LEVER ASSEMBLY	-	136
67264-1	HANGER ASSEMBLY	-	49
69100-100	CASING HEAD	13 3/8" - 14 1/2"	340
69100-110	CASING HEAD	14 1/2" - 16"	352
69100-120	CASING HEAD	16" - 17 1/2"	373
69100-130	CASING HEAD	17 1/2" - 19"	385
69100-140	CASING HEAD	19" - 20"	312
69100-150	CASING HEAD	20" - 21 1/2"	418
69100-160	CASING HEAD	21 1/2" - 23"	430
69100-170	CASING HEAD	24" - 25 1/2"	565
69100-180	CASING HEAD	30 1/2"	540
Add SH to part number to add Safety Handle (Bumper)			

THIS PAGE INTENTIONALLY LEFT BLANK

AAX Manual Tong (55,000 FT-LBS)

PART NO.	DESCRIPTION	SIZE	WEIGHT
1300-1	AAX TONG WITH 48" LEVER, LESS LUG JAWS	-	394
1300-2	AAX TONG WITH 42" LEVER, LESS LUG JAWS	-	387
1300-3	AAX TONG WITH 36" LEVER, LESS LUG JAWS	-	367
1370	LUG JAW 40,000 FT-LBS	2 7/8" - 3 3/4"	33
1371	LUG JAW 40,000 FT-LBS	3 1/2" - 4 1/2"	40
1372	LUG JAW 55,000 FT-LBS	4" - 5 1/2"	39
1373	LUG JAW 55,000 FT-LBS	5" - 7 1/4"	48
1374	LUG JAW 55,000 FT-LBS	6 7/8" - 8 5/8"	57
1375	LUG JAW 30,000 FT-LBS	9" - 10 3/4"	67
1376	LUG JAW 30,000 FT-LBS	10 3/4" - 11 3/4"	74
1377	LUG JAW 30,000 FT-LBS	13 3/8"	79

Add SH to part number to add Safety Handle (Bumper)



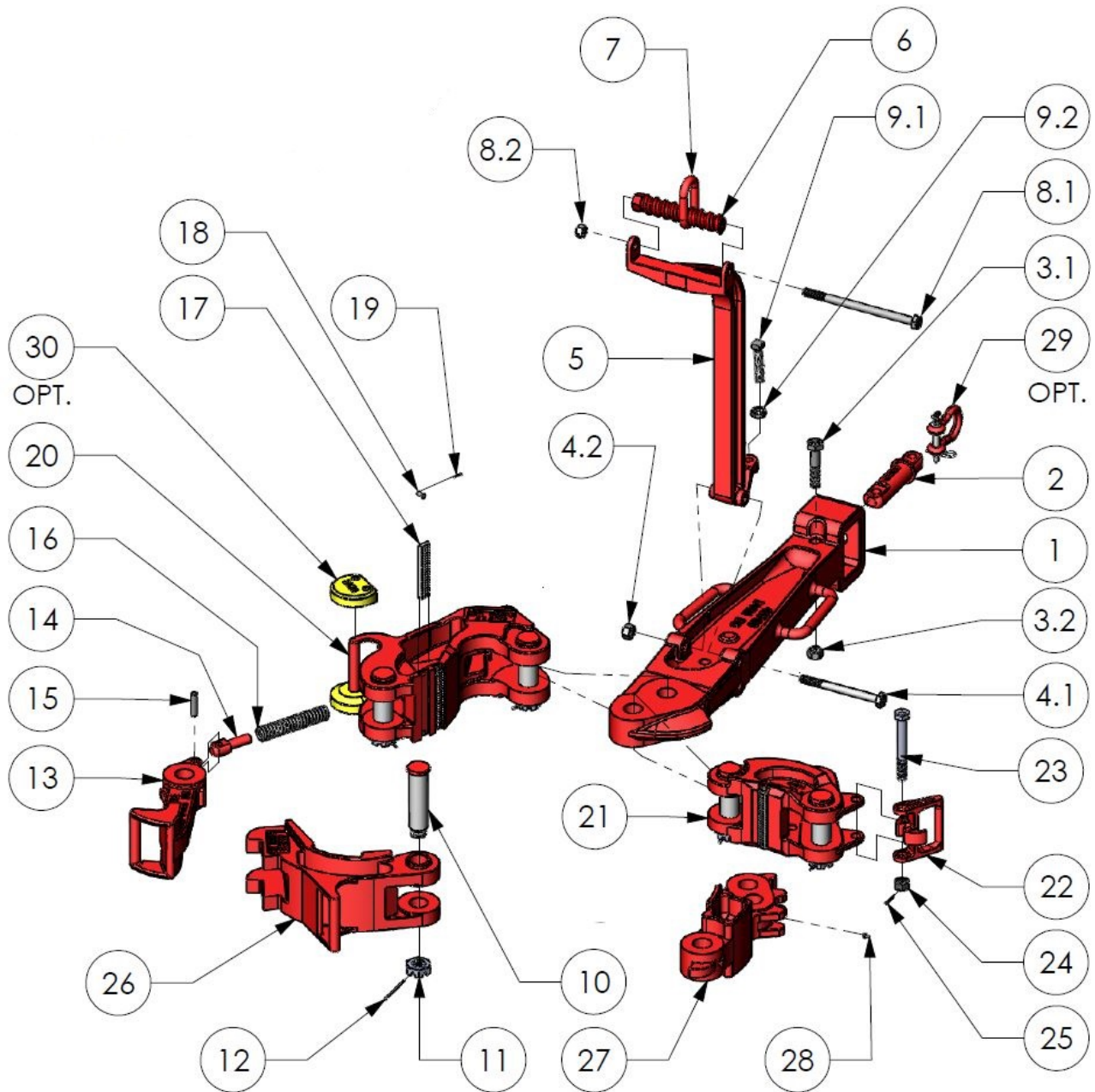
AAX TONG REPLACEMENT PARTS

ITEM NO.	DESCRIPTION	QTY	PART NO.
1	48" LEVER	1	1310
	42" SHORT LEVER		1311
	36" SHORT LEVER		1312
2	LONG JAW	1	1320
3	SHORT JAW	1	1330
4	LATCH	1	1350
5	LATCH SPRING	2	1351
6	HANGER	1	1360
7	LUG JAW	1	VAR
8	HINGE PIN W/ COTTER PIN	-	1380
8.1	HINGE PIN	4	81-380
8.2	COTTER PIN	4	30040-16-0
9	TONG DIE	4	67430
10	DIE RETAINER PINS	8	40040-06-0
11	TONG LINE RETAINER BOLT, NUT, & WASHER	-	1390
11.1	BOLT	1	1412C-56-5
11.2	LOCKNUT	1	6212C-00-5
11.3	FLAT WASHER	2	22120-00-0
12	HANGER ADJUSTMENT BOLT, NUT, & WASHER	-	1365
12.1	BOLT	2	1412C-60-5
12.2	LOCKNUT	2	6212C-00-5
12.3	FLAT WASHER	4	22120-00-0
13	GREASE FITTING	4	940308-1
-	SAFETY BUMPER ASSEMBLY (SET; OPTIONAL)	-	45729-1
-	SPARE PART KIT	-	1300-SP

DB Manual Tong (65,000 FT-LBS)

PART NO.	DESCRIPTION	SIZE	WEIGHT
45801-1	DB TONG WITH 43" LEVER, LESS LUG JAWS	-	443
45718-1	LUG JAW 65,000 FT-LBS	3 1/2" - 8 1/4"	88
45719-1	LUG JAW 65,000 FT-LBS	8" - 11 1/4"	112
45720-1	LUG JAW 40,000 FT-LBS	11 3/4" - 14 3/8"	78
45721-1	LUG JAW 40,000 FT-LBS	16" - 17"	96

Add SH to part number to add Safety Handle (Bumper)



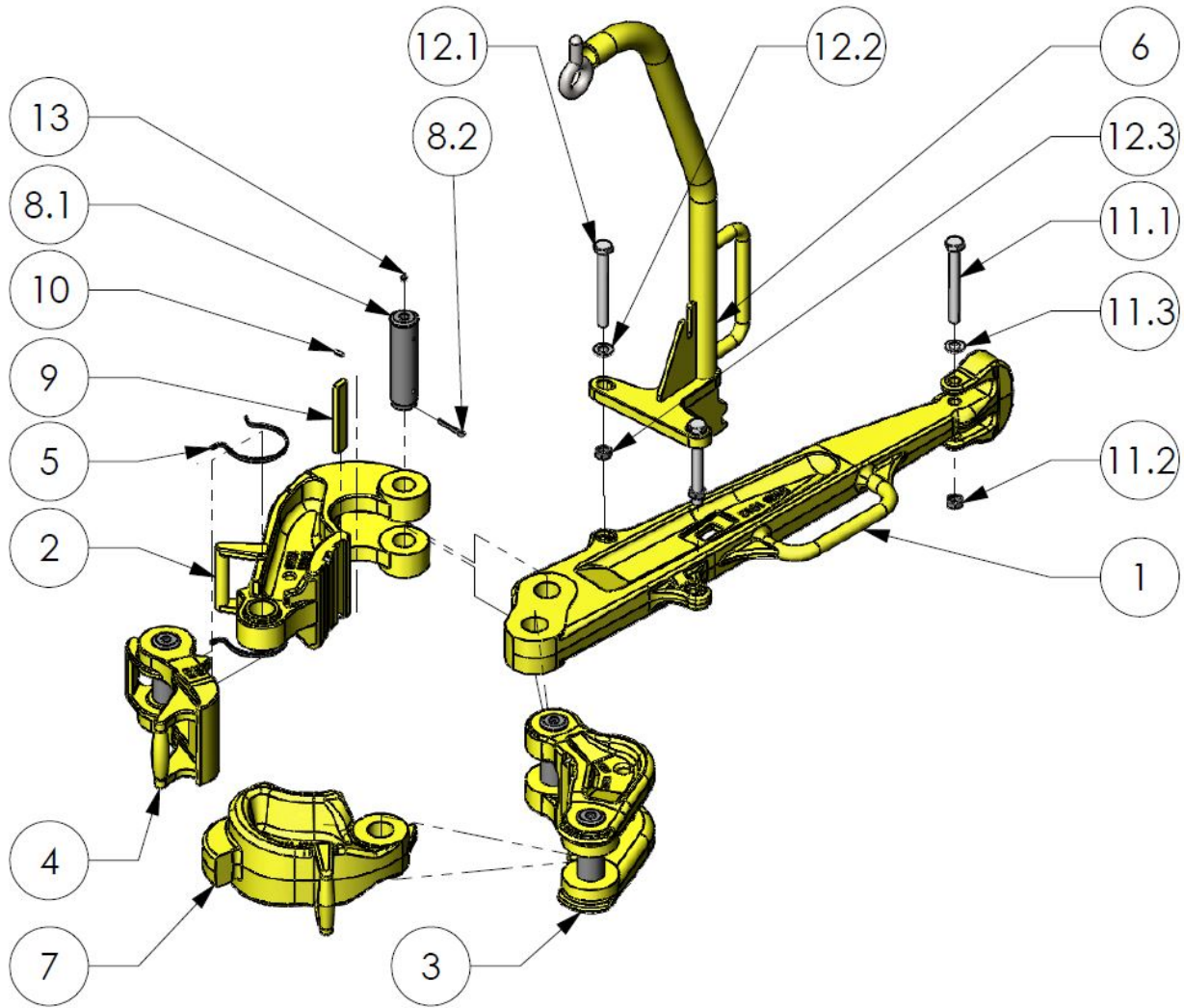
DB TONG REPLACEMENT PARTS

ITEM NO.	DESCRIPTION	QTY	PART NO.
-	LEVER ASSEMBLY (ITEMS 1, 2, 3, 4, 30 (2X))	-	45700-1
1	LEVER	1	45700
2	TONG LINE PIN	1	67269
3	TONG BOLT & NUT	1	45702
3.1	BOLT	-	1414C-36-8
3.2	LOCKNUT	-	6214C-00-8
4	HANGER BOLT & NUT	1	67263-3
4.1	BOLT	-	1412C-68-8
4.2	LOCKNUT	-	6212C-00-8
-	HANGER ASSEMBLY - INCLUDES ITEMS 5, 6, 7, 8, 9	-	67264-1
5	HANGER	1	67264
6	HANGER BALANCING SCREW	1	67258
7	SUSPENSION RING	1	67267
8	HANGER BALANCING BOLT & NUT	1	67266
8.1	BOLT	-	1412C-96-5
8.2	LOCKNUT	-	6212C-00-5
9	ADJUSTMENT BOLT & NUT	1	67268
9.1	BOLT	-	8014C-32-5
9.2	HEX JAM NUT	-	6114C-00-5
10	HINGE PIN - THREADED	4	45709
11	HINGE PIN NUT	4	55656
12	COTTER PIN	4	30040-12-0
-	LATCH ASSEMBLY (ITEMS 13, 14, 15, 16, 30)	-	45712-1
13	LATCH	1	45712
14	LATCH SPRING PLUNGER	1	45713
15	LATCH SPRING PLUNGER PIN	1	45714
16	LATCH SPRING	1	45715-1
17	TONG DIE	AR	67430
18	CLEVIS PIN	AR	55060-06-0*
19	COTTER PIN	AR	30020-06-0
-	LONG JAW ASSEMBLY (ITEMS 17, 18, 19, 20, 21, 22)	-	45717-1
20	LONG JAW	1	45717
-	SHORT JAW ASSEMBLY (ITEMS 17, 18, 19, 23, 24, 25, 26, 27)	-	45716-1
21	SHORT JAW	1	45716
22	SHORT JAW HANDLE	1	45725
23	BOLT	1	45725-1
24	SLOTTED HEX NUT	1	6814C-00-5
25	COTTER PIN	1	30030-10-0
26	LUG JAW	-	VAR
27	HINGE JAW 11 3/4" TO 17" (REQUIRED FOR THESE SIZES)	1	45722
28	GREASE FITTINGS	AR	940308-1
29	CLEVIS ASSEMBLY (OPTIONAL)	-	45711
30	SAFETY BUMPER ASSEMBLY (SET; OPTIONAL)	-	42729-1
-	SPARE PART KIT	-	45801-SP

H Manual Tong (80,000 FT-LBS)

PART NO.	DESCRIPTION	SIZE	WEIGHT
1800	H TONG WITH 50" LEVER, LESS LUG JAWS	-	510
1871	LUG JAW 80,000 FT-LBS	3 1/2" - 4 1/2"	34
1872	LUG JAW 80,000 FT-LBS	4" - 5 1/4"	48
1873	LUG JAW 80,000 FT-LBS	5" - 6"	66
1874	LUG JAW 80,000 FT-LBS	6" - 7"	82
1875	LUG JAW 80,000 FT-LBS	7" - 9"	72
1876	LUG JAW 80,000 FT-LBS	9" - 10 3/4"	100
1877	LUG JAW 60,000 FT-LBS	10 3/4" - 11 3/4"	96
1878-1	LUG JAW 40,000 FT-LBS	12 3/4"	123
1878	LUG JAW 40,000 FT-LBS	13 3/8"	108

Add SH to part number to add Safety Handle (Bumper)

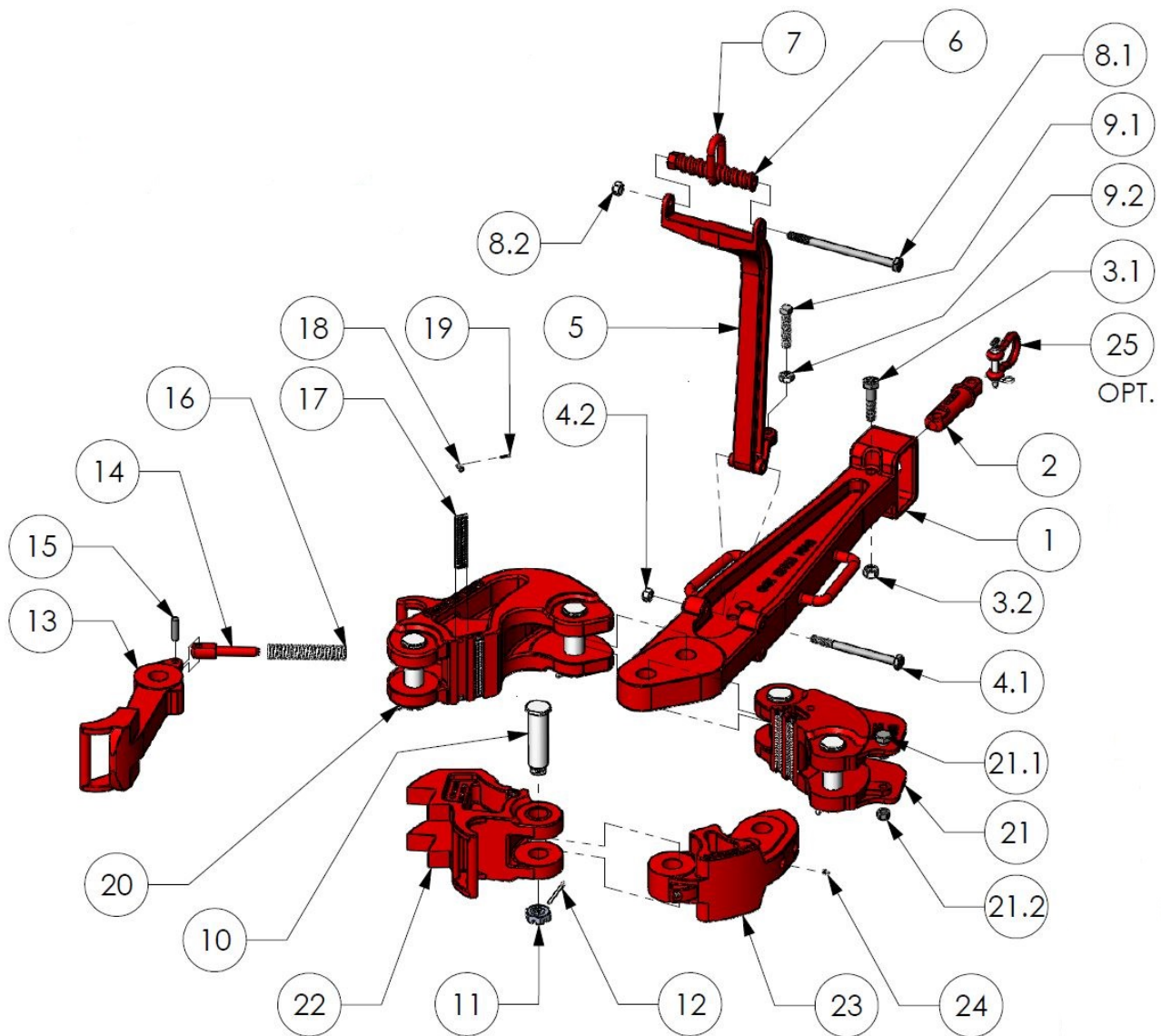


H TONG REPLACEMENT PARTS

ITEM NO.	DESCRIPTION	QTY	PART NO.
1	50" LEVER	1	1812
2	LONG JAW	1	1820
3	SHORT JAW	1	1830
4	LATCH	1	1850
5	LATCH SPRING	2	1851
6	HANGER	1	1360
7	LUG JAW	1	VAR
8	HINGE PIN w/COTTER PIN	4	1880
8.1	HINGE PIN	-	1880-1
8.2	COTTER PIN	-	30040-18-0
9	TONG DIE	4	67430
10	DIE RETAINER PINS	8	40040-06-0
11	TONG LINE RETAINER BOLT, NUT, & WASHER	-	1390
11.1	BOLT	1	1412C-54-5
11.2	LOCKNUT	1	6212C-00-5
11.3	FLAT WASHER	1	22120-00-0
12	HANGER ADJUSTMENT BOLT, NUT, & WASHER	-	1365
12.1	BOLT	2	1412C-54-5
12.2	LOCKNUT	2	6212C-00-5
12.3	FLAT WASHER	2	22120-00-0
13	GREASE FITTINGS	4	940308-1
-	SAFETY BUMPER ASSEMBLY (SET; OPTIONAL)	-	45729-1
-	SPARE PART KIT	-	1800SP

SDD Manual Tong (100,000 FT-LBS)

PART NO.	DESCRIPTION	SIZE	WEIGHT
55701-1	SDD TONG WITH 48" LEVER, LESS LUG JAWS	-	690
55702-1	LUG JAW 100,000 FT-LBS	4" - 8 1/2"	138
55703-1	LUG JAW 100,000 FT-LBS	8 1/2" - 12"	96
55704-1	LUG JAW 75,000 FT-LBS	12" - 15"	135
55705-1	LUG JAW 60,000 FT-LBS	15 3/4"	156
55706-1	LUG JAW 60,000 FT-LBS	16" - 17"	120
Add SH to part number to add Safety Handle (Bumper)			



SDD TONG REPLACEMENT PARTS

ITEM NO.	DESCRIPTION	QTY	PART NO.
-	LEVER ASSEMBLY (ITEMS 1, 2, 3, 4, 24 (2X))	-	55652-1
1	LEVER	1	55652
2	TONG LINE PIN	1	67269
3	TONG BOLT & NUT	1	55654
3.1	BOLT	-	1414C-32-8
3.2	LOCKNUT	-	6214C-00-8
4	HANGER BOLT & NUT	1	67263-4
4.1	BOLT	-	1412C-76-5
4.2	LOCKNUT	-	6212C-00-5
-	HANGER ASSEMBLY (ITEMS 5, 6, 7, 8, 9)	-	67264-1
5	HANGER	1	67264
6	HANGER BALANCING SCREW	1	67258
7	SUSPENSION RING	1	67267
8	HANGER BALANCING BOLT & NUT	1	67266
8.1	BOLT	-	1412C-96-5
8.2	LOCKNUT	-	6212C-00-5
9	ADJUSTMENT BOLT & NUT	1	67268
9.1	BOLT	-	8014C-32-5
9.2	HEX JAM NUT	-	6114C-00-5
10	HINGE PIN - THREADED	4	55655
11	HINGE PIN NUT	4	55656
12	COTTER PIN	4	30050-24-0
-	LATCH ASSEMBLY (ITEMS 13, 14, 15, 16, 24)	-	55658-1
13	LATCH	1	55658
14	LATCH SPRING PLUNGER	1	55659
15	LATCH SPRING PLUNGER PIN	1	45714
16	LATCH SPRING	1	55661
17	TONG DIE	AR	67430
18	CLEVIS PIN	AR	55060-06-0
19	COTTER PIN	AR	30020-06-0
-	LONG JAW ASSEMBLY (ITEMS 17, 18, 19, 20)	-	55665-1
20	LONG JAW	1	55665
-	SHORT JAW ASSEMBLY (ITEMS 17, 18, 19, 23, 24, 25, 26, 27)	-	55662-1
21	SHORT JAW	1	55662
21.1	BOLT	1	1412C-56-5
21.2	LOCKNUT	1	6212C-00-5
22	LUG JAW	-	VAR
23	HINGE JAW (REQUIRED FOR JAW SIZES 8 1/2" TO 17")	-	55707
24	GREASE FITTING	AR	940308-1
25	CLEVIS ASSEMBLY (OPTIONAL)	-	45711
-	SAFETY BUMPER ASSEMBLY (SET; OPTIONAL)	-	45729-1
-	SPARE PART KIT	-	55701-SP

Elevator Links (Bails)

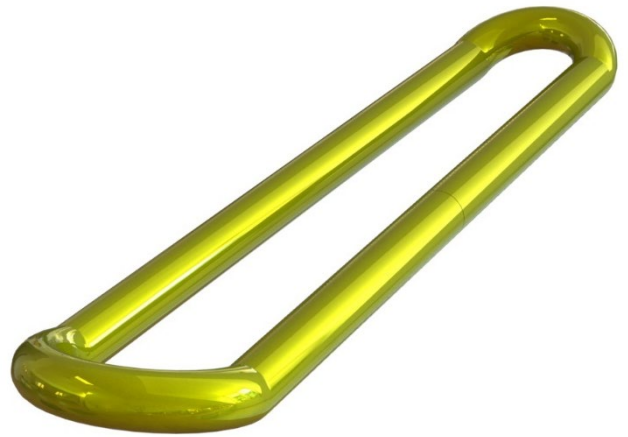
PART NO.	LENGTH	RATING (TONS)	WT. PER SET
17536	36"	150	215
17548	48"	150	250
17560	60"	150	280
17572	72"	150	320
17584	84"	150	360
17596	96"	150	400
175108	108"	150	440
175120	120"	150	500
22560	60"	250	480
22572	72"	250	530
22584	84"	250	580
22596	96"	250	630
225108	108"	250	680
225120	120"	250	700
225132	132"	250	780
225144	144"	250	875
225168	168"	250	900
275108	108"	350	870
275120	120"	350	935
275132	132"	350	1000
275144	144"	350	1095
275180	180"	350	1255
275192	192"	350	1320
275216	216"	350	1450
275240	240"	350	1580
350108	108"	500	1450
350132	132"	500	1670
350144	144"	500	1780
350160	160"	500	1930
350168	168"	500	2000
350180	180"	500	2120
350192	192"	500	2200
350264	264"	500	2280
475120	120"	750	3430
475144	144"	750	3830
475160	160"	750	4230
475180	180"	750	4560
475216	216"	750	5170
475240	240"	750	5570



1000 Ton & Special lengths available
Add "-BE" to part number for big eye

Electro Weld (Perfection) Links

PART NO.	LENGTH	RATING (TONS)	WT. PER SET
87518	18"	20	15
87524	24"	20	20
12526	26"	50	41
12530	30"	50	47
12536	36"	50	53
12540	40"	50	68
12548	48"	50	73
12560	60"	50	94
12572	72"	50	118
15030	30"	60	125
15036	36"	60	126
15048	48"	60	127
15060	60"	60	132
18030	30"	80	155
18036	36"	80	170
18042	42"	80	180
18048	48"	80	190
18060	60"	80	210
18072	72"	80	230
18084	84"	80	260
20042	42"	100	180
20048	48"	100	200
20060	60"	100	240
20072	72"	100	280
20084	84"	100	320



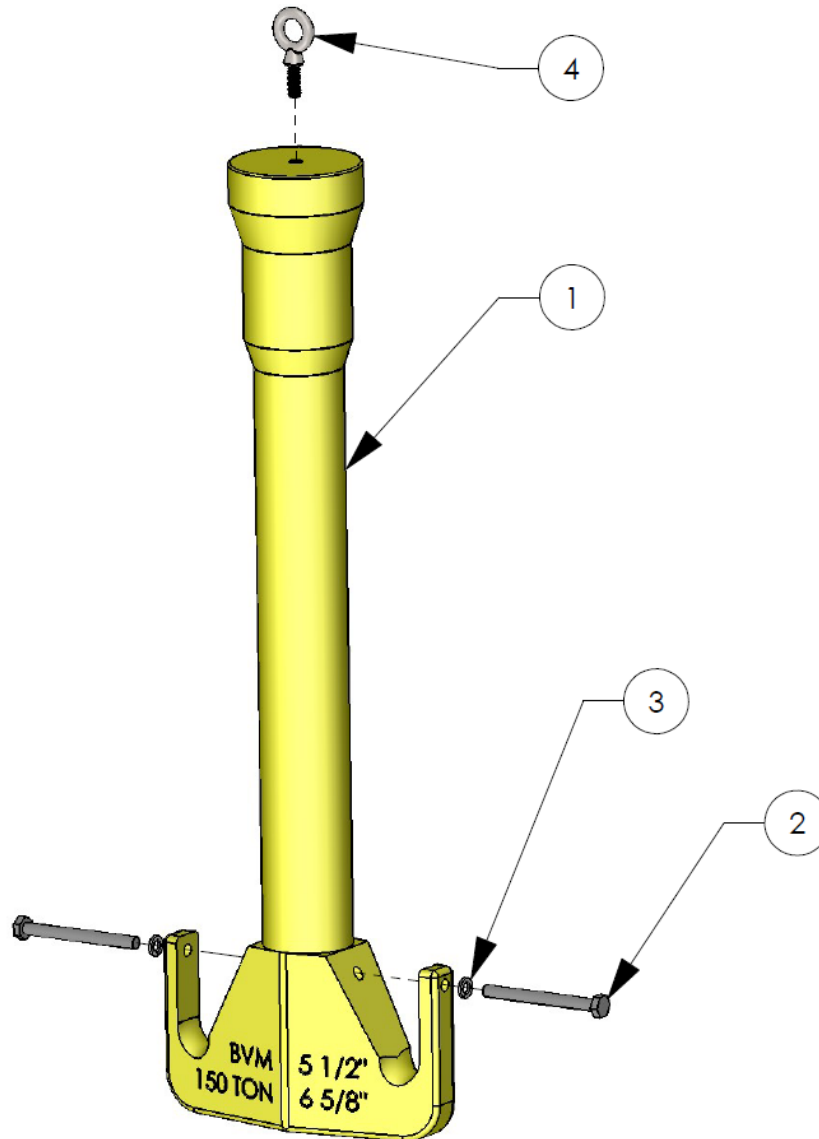
Link Extensions

PART NO.	LENGTH	RATING (TONS)	WT. PER SET
27572-LE	72"	350	760
27596-LE	96"	350	890
275120-LE	120"	350	1020
275144-LE	144"	350	1160



Becket / Drill Collar Dolly

PART NO.	SIZE	RATING (TONS)	WEIGHT
3134-119	3 1/2" IU	150	355
3134-120-123	3 1/2" EU & 4 1/2" EU & 5" IEU	150	391
3134-123	4 1/2" EU & 5" IEU	150	480
3134-123-740	4 1/2" EU & 5" IEU & 6 5/8" IEU	150	561
3134-124-740	5 1/2" IEU & 6 5/8" IEU	150	571
3134-789	5 7/8" IEU	150	531

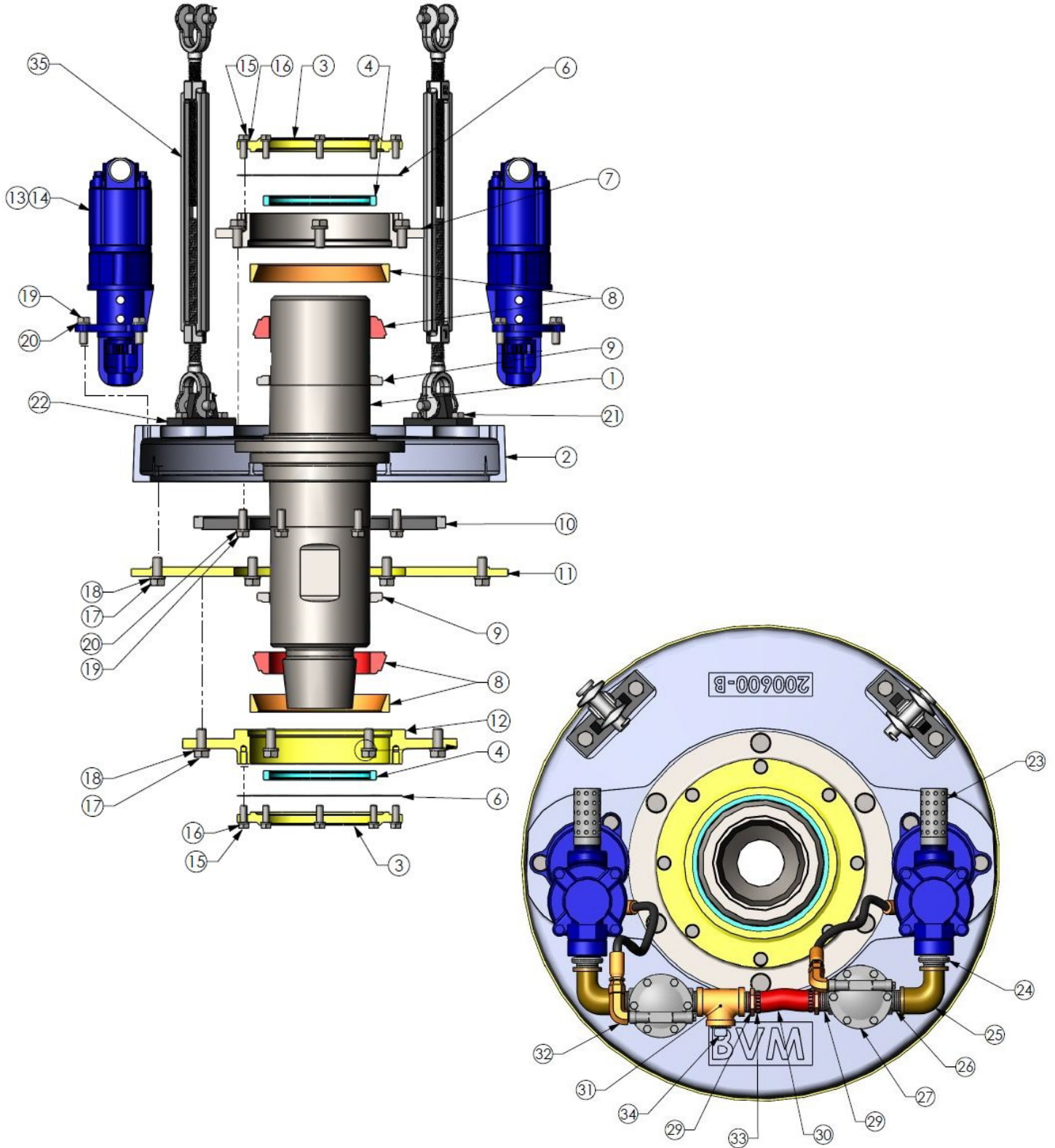


ITEM NO.	DESCRIPTION	QTY	PART NO.
1	BECKET	1	3134-XXX
2	HEX BOLT 3/4-10X 8"	2	1412C-64-8
3	3/4" LOCKWASHER	2	20120-00-0
4	3/4-10 X 2" EYEBOLT	1	75CHES

THIS PAGE INTENTIONALLY LEFT BLANK

Pneumatic Kelly Spinner

PART NO.	THREADS	MAX TORQUE	MAX RPM	POWER REQ	WEIGHT
200201-1	6 5/8" API REG LH	1,300 FT-LBS	150	5.5 CFS @ 90-120 PSI	1,110



KELLY SPINNER REPLACEMENT PARTS

ITEM NO.	DESCRIPTION	QTY	PART NO.
1	SUB SHAFT	1	200602-C
2	SPINNER HOUSING	2	200600-B
3	BEARING AND SEAL RETAINERS	2	200604-E
4	GREASE SEALS (BEARING & SEAL RETAINER)	2	200604-A
5	GREASE FITTING	4	940308-1
6	SHIM SETS (1 BLUE & 1 YELLOW)	2	200603-C
7	TOP BEARING HOUSING	1	200604-T
8	HOUSING BEARINGS	2	200603-B
9	SLINGER RING	2	200604-F
10	RING GEAR	1	200607-C
11	LOWER PLATE COVER	1	200601-B
12	BOTTOM BEARING HOUSING	1	200604-B
13	AIR STARTER ASSEMBLY - RIGHT TURN	1	200611-SMR
14	AIR STARTER ASSEMBLY - LEFT TURN	1	200610-SML
15	HEX HEAD BOLT 1/2-13 X 1 1/2	16	1408C-12-5
16	1/2" LOCKWASHER	16	20080-00-0
17	HEX HEAD BOLT 3/4-10 X 1 3/4	22	1412C-14-5
18	3/4" LOCKWASHER	22	20120-00-0
19	HEX HEAD BOLT 5/8-11 X 1 3/4	12	1410C-14-5
20	5/8" LOCKWASHER	12	20100-00-0
21	HEX HEAD BOLT 5/8-11 X 1 1/2	4	1410C-12-5
22	PAD EYE	2	200605-P
23	MUFFLER	2	200690
24	1" - 1 1/4" PIPE BUSHING	2	200672
25	1" STREET ELBOW	2	200678
26	1" SHORT NIPPLE	3	200675
27	RELAY VALVE	2	200685
28	HOSE TO RELAY VALVE	2	10438
29	1" NPT - 1" BARBED FITTING	2	200673
30	1" ID HOSE	1	200688
31	1" PIPE TEE	1	200680
32	90 DEG ELBOW	4	200677
33	HOSE CLAMP	2	200689
34	1" NPT SQUARE HEAD PLUG	1	200693
35	1" DIA TURNBUCKLE, 18" TAKE-UP LENGTH	2	200605
-	KELLY SPINNER CONTROL VALVE (OPTIONAL)	-	200719
-	KELLY SPINNER LUBRICATOR (OPTIONAL)	-	200720
-	KELLY SPINNER FILTER (OPTIONAL)	-	200721

Elevator Bore Codes

Drill Pipe

Size (in)	Style	Tool Joint	18° Tapered	90° Collar
2 3/8"	IU	API REG.	-	109
2 3/8"	EU	NC 26 (IF), WO, OH, SL H90	116	110
2 7/8"	IU	API REG. XH	117	108
2 7/8"	EU	NC 31 (IF), WO, OH, SL H90	118	101
3 1/2"	IU	NC 31 (SH), XH	119	102
3 1/2"	EU	NC 38 (IF), WO, OH, SL H90	120	103
4"	IU	NC 40 (FH), SH, H90	121	104
4"	EU	NC 46 (IF), WO, OH	122	105
4 1/2"	IU	NC 46 (XH), NC 38 (SH), FH, H90	122	105
4 1/2"	EU	NC 50 (IF), WO, OH	123	106
5"	IEU	NC 50 (XH)	123	106
5 1/2"	IU	FH	124	107
5 1/2"	EU	IF	678	-
5 7/8"	IEU	-	789	-
6 5/8"	IEU	FH	740	-

Tubing

Size (in)	Style	Bore Code	Top & Bottom Bore
1.050" (3/4)	Plain (NU)	150	1.125
1.050" (3/4)	Upset (EU)	151	1.422
1.315" (1)	Plain (NU)	152	1.390
1.315" (1)	Upset (EU)	153	1.578
1.660" (1 1/4)	Plain (NU)	154	1.734
1.660" (1 1/4)	Upset (EU)	155	1.922
1.900" (1 1/2)	Plain (NU)	156	1.984
1.900" (1 1/2)	Upset (EU)	157	2.203
2 3/8"	Plain (NU)	158	2.453
2 3/8"	Upset (EU)	159	2.703
2 7/8"	Plain (NU)	160	2.953
2 7/8"	Upset (EU)	161	3.203
3 1/2"	Plain (NU)	162	3.578
3 1/2"	Upset (EU)	163	3.859
4"	Plain (NU)	164	4.078
4"	Upset (EU)	165	4.359
4 1/2"	Plain (NU)	166 (129)	4.593
4 1/2"	Upset (EU)	167	4.859

Casing

Size (in)	Bore Code	Top & Bottom Bore
4 1/2"	129	4.604
4 3/4"	130	4.857
5"	131	5.111
5 1/2"	132	5.617
5 3/4"	133	5.870
6"	134	6.123
6 5/8"	135	6.756
7"	136	7.136
7 5/8"	137	7.768
7 3/4"	705	7.895
8"	757	8.148
8 3/8"	759	8.528
8 5/8"	139	8.781
9"	140	9.161
9 1/2"	747	9.667
9 5/8"	141	9.780
9 7/8"	649	10.033
10"	831	10.160
10 1/8"	846	10.287
10 1/4"	808	10.413
10 3/4"	142	10.919
11 3/4"	143	11.932
12 3/4"	850	12.944
12 7/8"	676	13.058
13 3/8"	144	13.564
13 5/8"	596	13.817
14"	690	14.197
16"	145	16.222
16 3/4"	175	16.981
18"	723	18.247
18 1/2"	852	18.753
18 5/8"	146	18.880
20"	147	20.272
20 3/4"	925	21.033
21 1/2"	148	21.790
22"	688	22.295
22 1/2"	876	22.800
24"	630	24.315
24 1/2"	149	24.820
26"	650	26.335
27"	692	27.345
28"	693	28.355
30"	644	30.375
32"	694	32.395
36"	660	36.435

Drill Collars with Lift Plug

Collar OD	Bore Code	Top & Bottom Bore
2"	823	2.156
2 3/8"	513	2.531
2 1/2"	201	2.656
2 3/4"	203	2.906
2 7/8"	824	3.031
3"	205	3.156
3 1/8"	206	3.281
3 1/4"	207	3.406
3 3/8"	795	3.531
3 1/2"	209	3.656
3 3/4"	211	3.906
3 7/8"	763	4.031
4"	213	4.156
4 1/8"	519	4.281
4 1/4"	548	4.406
4 1/2"	215	4.656
4 3/4"	354	4.938
5"	552	5.188
5 1/4"	219	5.438
5 1/2"	411	5.688
5 3/4"	222	5.969
6"	349	6.219
6 1/4"	348	6.469
6 3/8"	331	6.594
6 1/2"	332	6.719
6 3/4"	338	7.000
7"	372	7.250
7 1/4"	335	7.500
7 1/2"	137	7.750
7 3/4"	550	8.000
8"	334	8.250
8 1/4"	347	8.500
8 1/2"	580	8.781
8 3/4"	226	9.031
9"	356	9.281
9 1/4"	227	9.531
9 1/2"	346	9.781
9 5/8"	479	9.969
10"	228	10.344
10 1/2"	229	10.844
11"	230	11.344
11 3/4"	621	12.094
14"	679	14.344

Drill Collars with Zip Lift Recess

Collar OD	Bore Code	Top Bore	Bottom Bore
3 1/2"	625	3.188	3.625
3 3/4"	582	3.438	3.875
4 1/8"	177	3.813	4.250
4 1/2"	554	4.188	4.625
4 3/4"	435	4.375	4.875
4 7/8"	466	4.500	5.000
5 1/4"	179	4.875	5.375
5 1/2"	180	5.125	5.625
5 3/4"	181	5.250	5.875
6"	362	5.500	6.125
6 1/4"	337	5.750	6.375
6 1/2"	373	6.000	6.625
6 3/4"	387	6.188	6.875
7"	361	6.438	7.125
7 1/4"	357	6.688	7.375
7 1/2"	188	6.938	7.625
7 3/4"	339	7.188	7.875
8"	336	7.438	8.125
8 1/4"	422	7.688	8.375
8 1/2"	426	7.938	8.625
9"	427	8.375	9.125
9 1/2"	370	8.875	9.625
9 3/4"	367	9.125	9.875
10"	195	9.375	10.125
10 3/4"	527	10.125	10.875
11"	419	10.375	11.125
11 1/4"	196	10.625	11.375

THIS PAGE INTENTIONALLY LEFT BLANK

Terms, Conditions, & Warranty

QUOTES

All quotations are in US dollars and are F.O.B. Company's point of manufacturing origin, unless otherwise expressly stipulated. Quotations are valid for 15 days unless otherwise stated. Lighterage, wharfage or landing charges, dues, duties, or any other charges at destination are not included in quotations or indicated by list prices unless specifically stipulated. List price and discounts on all products are subject to change without notice. Prices in effect at time of shipment or delivery whether higher or lower will prevail. Material availability is subject to prior sales. All Quotations are based upon information supplied by Buyer at the time of request for quote. Pricing is subject to change should Buyer modify its requirements.

PURCHASE ORDERS

All orders must be accompanied by a purchase order, or our Sales Acknowledgement form signed and emailed back to us. We will not accept verbal orders without written confirmation. Buyer's Purchase Order terms do not supersede the terms of this Agreement. Seller's fulfillment of the Purchase Order is contingent upon approved credit review from Seller.

TERMS OF PAYMENT

Unless otherwise specifically stated on the invoice, terms of payment are net thirty [30] days following the date of the invoice and are subject to approved credit. Payment is accepted in US dollars only. All late payments will be assessed a 2% per month finance fee and a \$50 [fifty] rebilling fee for each rebilling fee sent. If BVM must initiate action to collect unpaid money, BVM shall be awarded collection costs including but not limited to attorney's fees and costs. Buyer agrees to allow BVM or BVM's agent to enter the property of the Buyer where property is located and remove equipment if payments are not made as set forth in the invoice. Buyer agrees that BVM need not give notice or file an action to remove equipment if equipment is not paid as set forth herein.

ACCEPTANCE OF GOODS

The buyer's receipt of equipment for a period of ten [10] days without written objection, shall be conclusive evidence of acceptance of equipment by Buyer and shall be deemed and construed as conclusive evidence that such equipment is as herein represented and shall be deemed as conforming goods.

JURISDICTION & ARBITRATION

This agreement and the law regarding the interpretation and enforcement of this agreement shall be held in accordance with laws of the State of Colorado. Both parties to this agreement submit themselves to the jurisdiction of the State of Colorado.

If a dispute arises regarding this purchase, invoice, or any related subject or item between BVM and Buyer, both parties agree to submit themselves to final and binding arbitration according to the laws and interpretations of the State of Colorado and the American Arbitration Association in Denver, Colorado.

SEVERABILITY AND WAIVER

The partial or complete invalidity of any one or more provisions of this agreement shall not affect the validity of continuing force and effect of any other provisions. The failure to either party hereto to insist, in any one or more instances, upon the performance of the terms, covenants or conditions of this agreement, or to exercise any right herein, shall not be construed as a waiver or relinquishment of such term, covenant, condition or right as with respect to further performance.

RETURNS

No materials purchased hereunder shall be returned without Return Material Authorization Number (RMA) from our Quality Control Department. Standard restocking fee charge shall be 20% of the invoice price. All returns shall be freight prepaid unless otherwise approved. Equipment returned under warranty must be returned on a designated freight carrier of BVM.

WARRANTY

Equipment sold by BVM Corporation Inc. is warranted against manufacturer's defects for the period of 12 months from the first use or 18 months from original sale from BVM Corporation or their authorized reseller, whichever is less. If the equipment supplied fails to conform to specifications or is proven to be defective, BVM Corporation inc. will issue a Return Material Authorization for goods to be returned for repair or replacement at our option, without cost to the original purchaser, or upon agreement of both parties, the repayment of the purchase price may be issued. This shall constitute purchaser's sole and exclusive remedy. Purchaser will notify BVM Corporation in writing of any equipment which does not conform to specifications within 15 days of deliver or field failure. If purchaser fails to give proper notification, the terms of this warranty may become null and void. Goods may be returned at the expense of BVM Corporation Inc. only when an authorized RMA has been issued by BVM Corporation Quality Assurance Department. If faulty equipment is received by BVM and it is found that the equipment has malfunctioned due to lack of maintenance or excessive wear and tear, purchaser will be billed for all shipping costs and any repairs agreed upon between BVM Quality department and purchaser. BVM Corporation Inc. shall have no liability whatsoever for incidental or consequent damages, resulting from personal injury, property damage or shutdown due to product modification or unauthorized repairs. Purchaser hereby agrees to indemnify BVM Corporation Inc. from all liability arising from the purchaser's improper use or operation of equipment manufactured or sold by BVM Corporation inc.

