



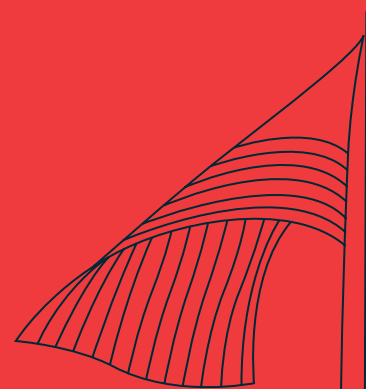
GLOBALLY
RECOGNIZED,
USA MADE
HANDLING TOOLS
FOR 30 YEARS.
**THE CHOICE
FOR RIGS.**

BVMCORP.COM

Company Profile

BVM
CORPORATION

HISTORY+ BACKGROUND



BVM CORPORATION HAS BEEN IN THE BUSINESS OF MANUFACTURING OILFIELD TOOLS FOR OVER **30 YEARS**. WE HAVE GROWN AND EXPANDED OUR PRODUCT LINES CONTINUOUSLY, WITH SEVERAL IMPORTANT NEW ADDITIONS IN RECENT YEARS. EVEN AS THE INDUSTRY CONTINUE TO FACE CHALLENGES, **BVM** REMAINS A LEADER IN INNOVATION.

BVM WAS FOUNDED IN **1987** BY **NORBERT "BERT" VOGLER**. IT MAINTAINS ITS OPERATIONS UNDER THE DIRECTION OF **BERT** AND HIS SON **ANDRE**.

Currently
the company
employs:



53

PEOPLE



BVM Corporation Current Activity



All of **BVM's** products are manufactured at our factory in **Denver, Colorado, USA**. We sell our tools to all areas of the world. Our product line includes tools for both onshore and offshore drilling. We have in recent years concentrated on expanding our line to include tools that can handle the larger sizes and heavier loads required for the deeper drilling and multiple strings originating from a single drill site.

We also continue to offer the smaller and lighter tools needed for onshore drilling and reworking of wells. We pride ourselves in offering Quality tools at economical prices. We also offer the flexibility of a smaller company, able to make specialized sizes and configurations to meet our customers' special needs.

Currently we are adding new machinery and additional space to our factory in order to ensure increased production capacities.

...

02	—	03	HISTORY
04	—	05	CURRENT ACTIVITY
06	—	09	CERTIFICATIONS
10	—	11	LOAD TESTING, REPAIR & RECERTIFICATION
12	—	13	FACILITY CAPABILITIES
14	—	15	CUSTOMERS
16	—	17	INTERNATIONAL PRESENCE
18	—	21	PRODUCTS / CATEGORIES
22	—	23	TERMS, CONDITIONS & WARRANTY

DESIGN : JCG.MX





BVM Manufacturing Company Incorporated maintains the following API Certifications

API 7K — 0500

This specification provides general principles and specifies requirements for design, manufacture, and testing of new drilling and well-servicing equipment and of replacement primary load-carrying components manufactured subsequent to the publication of this specification.



This specification is applicable to the following equipment:

- Rotary Tables
- Rotary Bushings
- High - Pressure Mud and Cement Hoses
- Piston Mud - Pump Components
- Drawworks Components
- Manual Tongs
- Safety Clamps Not used as Hoisting Devices
- Blowout Preventer (Bop) Handling Systems
- Pressure - Relieving Devices for High - Pressure Drilling Fluid Circulating Systems
- Snub - Lines for Manual and Power Tongs
- Rotary Slips, Both Manual and Powered
- Slip Bowls
- Spiders, Both Manual and Powered

NOTE:

Not all products listed in this catalog are authorized to carry the API Monogram.

API 8C — 0307

This standard provides requirements for the design, manufacture and testing of hoisting equipment suitable for use in drilling and production operations.

This standard is applicable to the following drilling and production hoisting equipment:



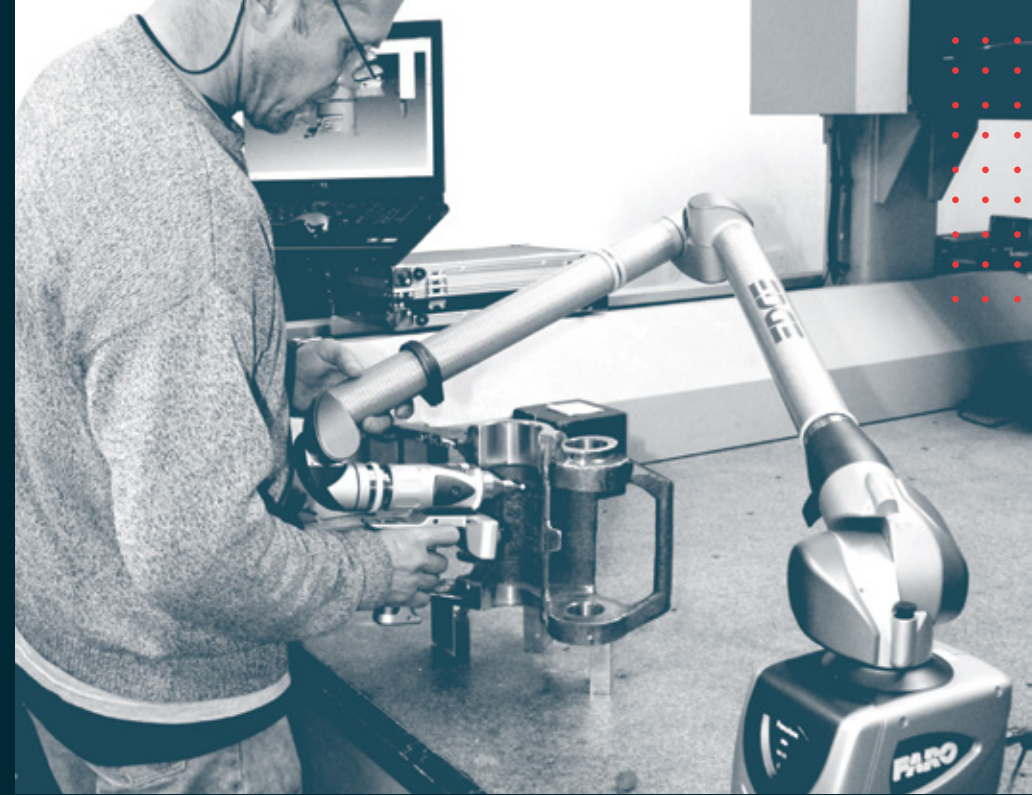
- Hoisting Sheaves
- Travelling Blocks and Hook Blocks
- Block - To - Hook Adapters
- Connectors and Link Adapters
- Drilling Hooks
- Tubing Hooks and Sucker - Rod Hooks
- Elevator Links
- Casing Elevators, Tubing Elevators, Drill-Pipe Elevators and Drill - Collar Elevators
- Sucker - Rod Elevators
- Rotary Swivel - Bail Adapters
- Rotary Swivels
- Power Swivels
- Power Subs
- Spiders, If Capable of Being Used as Elevators
- Wire - Line Anchors
- Drill - String Motion Compensators
- Kelly Spinners, If Capable of Being Used as Hoisting Equipment
- Pressure Vessels and Piping Mounted Onto Hoisting Equipment
- Safety Clamps, If Capable of Being Used as Hoisting Equipment
- Guide Dollies for Traveling Equipment (E.G. Hooks, Blocks, Etc.)

ORI ISO 9001 - 2015

The effective implementation of **ISO 9001** gives your company the great competitive advantage.



Demonstrates that we have the discipline to identify, understand and fully implement our customers' needs, requirements and expectations. It helps to effectively drive down waste and production costs, while providing the high quality that our customers expect. Its process approach allows us to increase our customers' satisfaction while consistently providing product that meet customer needs and applicable regulatory requirements. By providing this visible commitment to our customers, we increase their confidence in our company and our products.



Load Testing, Repair & Recertification

BVM is uniquely qualified to perform LOAD TESTING, REPAIR AND RECERTIFICATION on elevators, links and tongs. Our manufacturing plant based repair and recertification facility offers access to our supply of new parts, skilled and certified welders and load test technicians as well as our NDE and Quality Control specialists.



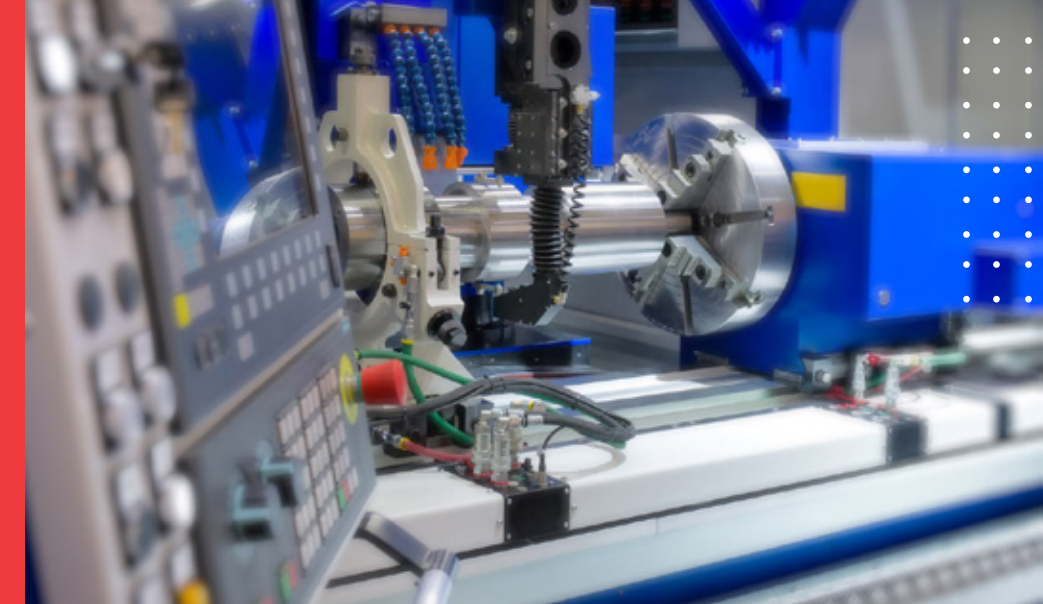
We utilize the same NDE testing, load testing and certified welding procedures for recertification as we do for our new tools.

The sand blasting and factory paint booth assure a factory new paint application after testing.



Facility Capabilities

Offering high quality machining,
manufacturing and fabrication
services since 1987.



- Precision CNC machining
- MultiAxis pallet machines and live tooling CNC Lathes
- Full fabrication and certified welding
- CAD 3D modeling, drawings and GD&T
- Finite element analysis (FEA - stress & heat transfer analysis)
- Reverse engineering capability with Faro Arm Scanner
- Design and engineering assistance
- Precision machining expertise in most metals,
bar / plate / sand castings
- CAM proگرامing with MasterCam
- Large quantity production capabilities and short run R&D prototypes
- Industrial paint booth and industrial sand blast booth
- Certified MPI inspection capability - Level II



PETROLEUM
& INDUSTRIAL
ITALY



WORLD PETROLEUM
SUPPLY, INC.
USA



NATIONAL
OILWELL VARCO
USA



OILAND NATURAL
GAS CORPORATION
INDIA

CUSTOMERS

BVM Corporation currently has more than 400 companies on our active client list.



POINTER
COLOMBIA



BRONCO
USA



VIETSOVPETRO
RUSSIA



WOODHOUSE
DUBAI



VARCOIND
INDONESIA



EURASIA DRILLING
ASIA



TESCO
AFRICA & MIDDLE EAST



HOWARD SUPPLY
USA

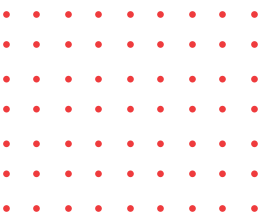




International Presence



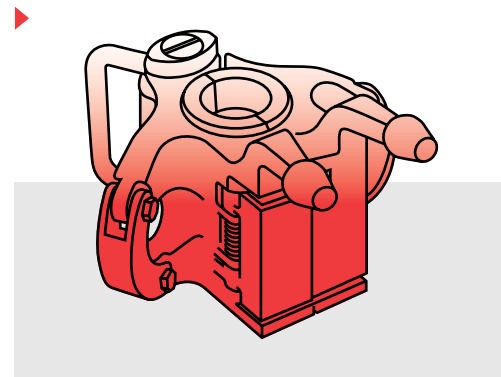
- | | | | | |
|-----------|-----------|--------|------------|-----------|
| Canada | Peru | Italy | Pakistan | Ukraine |
| Alaska | Chile | Turkey | Sudan | India |
| USA | Ecuador | Arabia | Nigeria | Vietnam |
| México | Venezuela | Egypto | Africa | Indonesia |
| Argentina | Bolivia | Qatar | Kazajistán | Singapore |
| Colombia | Germany | Oman | Russia | Australia |



PRODUCTS Categories

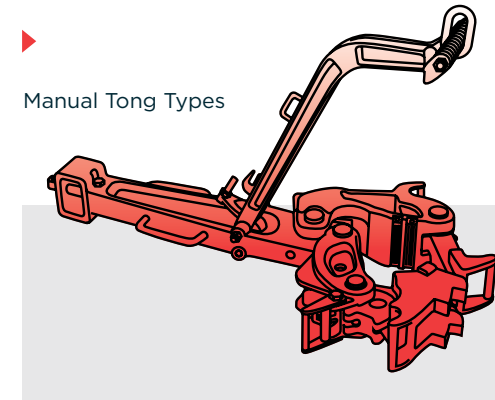
For a complete list of products and sizes visit our website:

Elevator



- Side Door 90 Deg
- Center Latch TA / RA
- Center Latch 18 Deg
- Sucker Rod
- Single Joint
- Slip Type

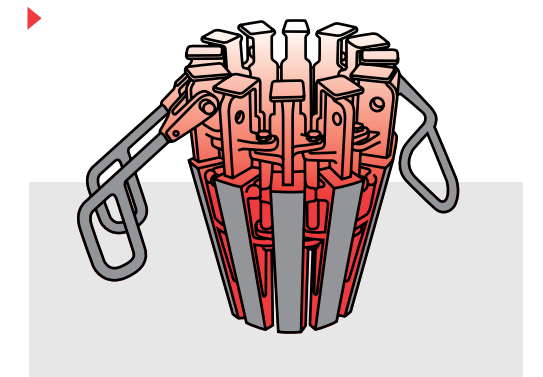
Manual Tongs



Manual Tong Types

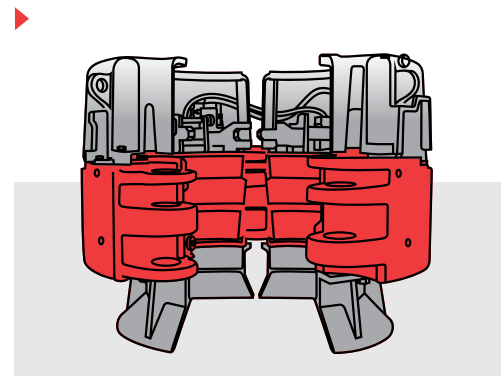
- C Tong
- MS Tong
- H Tong
- B Tong
- LF Tong
- SDD Tong
- DB Tong
- AAX Tong

Manual Slips



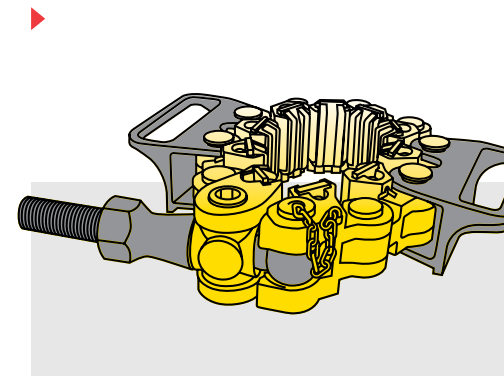
- Rotary Slips
- Conductor Pipe Slips
- Casing Slips
- Drill Collar Slips
- UC - 3 Slips

Casing Spider / Elevator



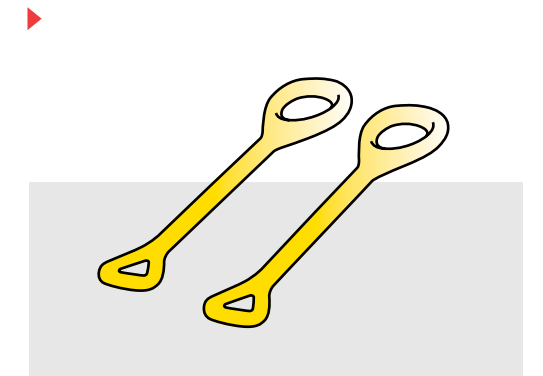
- From 200 ton to 750 ton with size range of 2 3/8 to 24 1/2

Safety Clamps



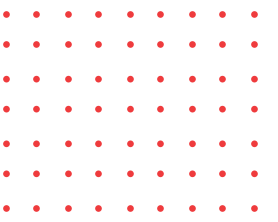
- T Safety Clamp
- MP Safety Clamp
- C Safety Clamp

Elevator Links



- Standard
- Electroweld
- Big Eye



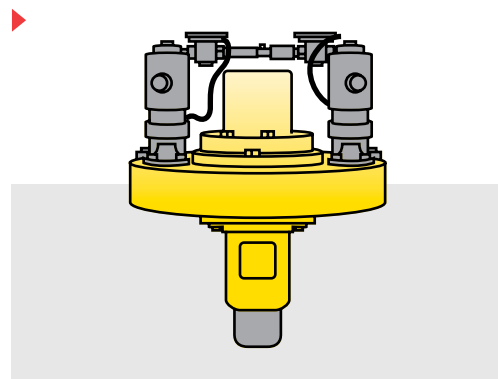


PRODUCTS

Categories

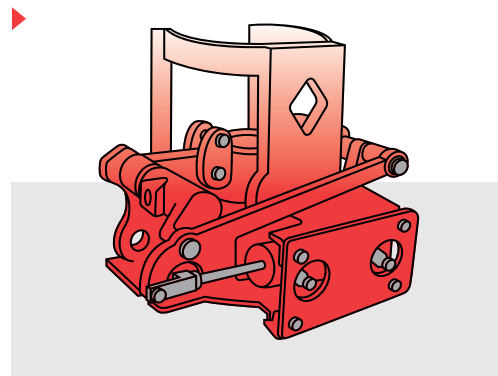
For a complete list of products and sizes visit our website:

Kelly Spinner



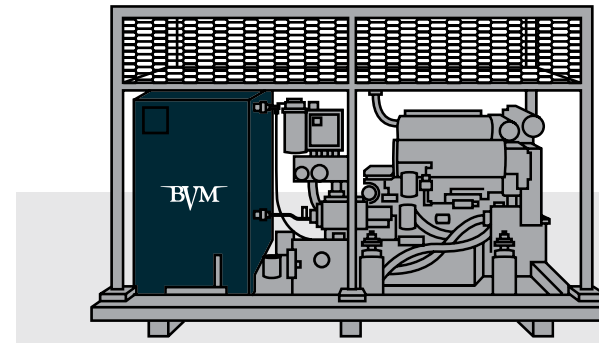
- Pneumatic
- Hydraulics

Tubing Spider



- Pneumatic
- Manual

Hydraulic Power Unit



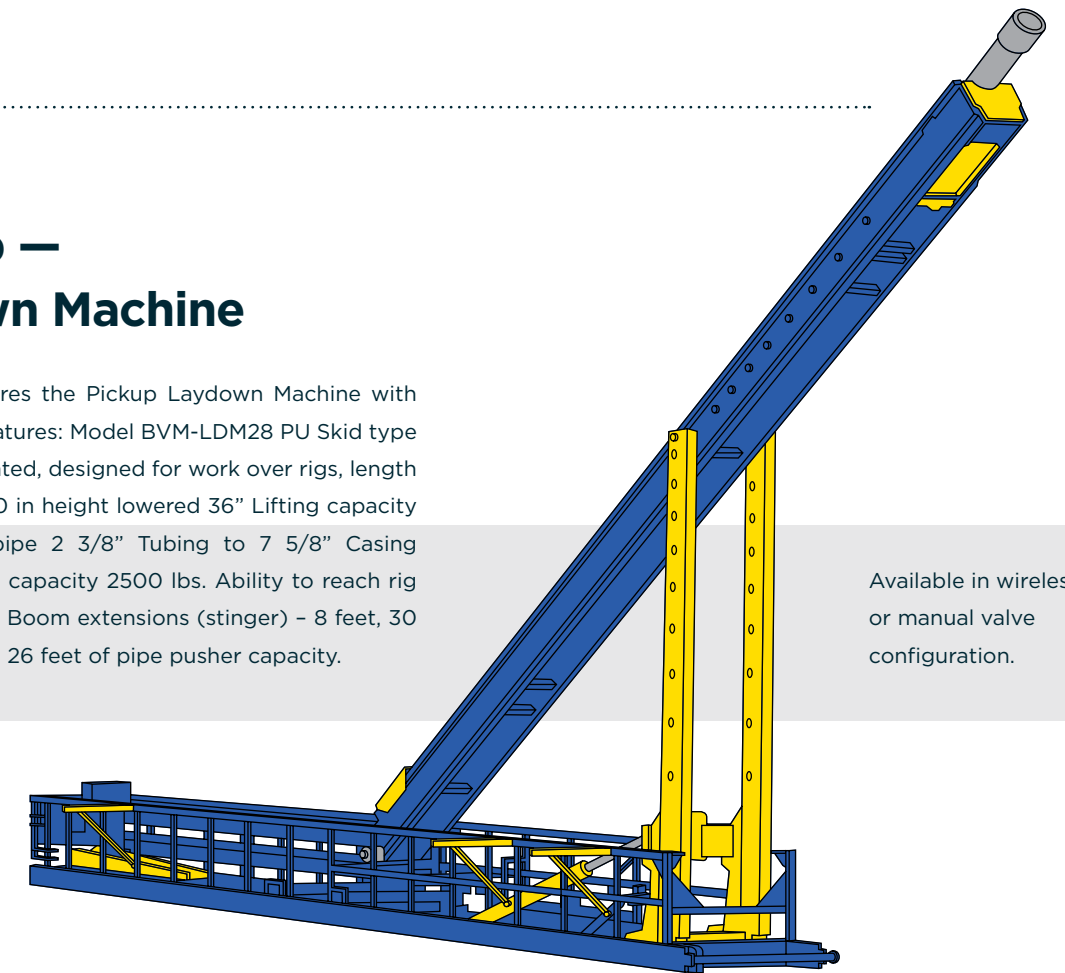
Diesel units available with deutz 4 - 5 - 6 cylinder engines with or with out turbo.

Electric powered units available in multiple horse power, voltage and phase requirements.

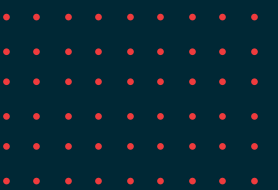
Built to suit - skid mounted or trailer - with tool basket - tandem engine and pump.

Pick Up — Laydown Machine

BVM manufactures the Pickup Laydown Machine with the following features: Model BVM-LDM28 PU Skid type and trailer mounted, designed for work over rigs, length 39 ft., width - 40 in height lowered 36" Lifting capacity Range 2 & 3 pipe 2 3/8" Tubing to 7 5/8" Casing maximum lifting capacity 2500 lbs. Ability to reach rig floor 6 to 27" 8" Boom extensions (stinger) - 8 feet, 30 foot trough with 26 feet of pipe pusher capacity.



Available in wireless or manual valve configuration.



TERMS, CONDITIONS & WARRANTY

PURCHASE ORDERS

All orders must be accompanied by a purchase order or our sales acknowledgement form signed and faxed back to us.

We will not accept verbal orders without written confirmation.

TERMS OF PAYMENT: All payments are due as set forth on the front of this invoice. All late payments will be assessed a 2% per month finance fee and a \$50 [fifty] rebilling fee for each rebilling fee sent. If **BVM** must initiate action to collect unpaid money, **BVM** shall be awarded collection costs including but not limited to attorney's fees and costs. Buyer agrees to allow **BVM** or BVM's agent to enter the property of the Buyer where property is located and remove equipment if payments are not made as set forth in this invoice. Buyer agrees that **BVM** need not give notice or file an action to remove equipment if equipment is not paid as set forth herein.

ACCEPTANCE OF GOODS: The buyer's receipt of equipment for a period of ten [10] days without written objection, shall be conclusive evidence of acceptance of equipment by Buyer and shall be deemed and construed as conclusive evidence that such equipment is as here in represented and shall be deemed as conforming goods.

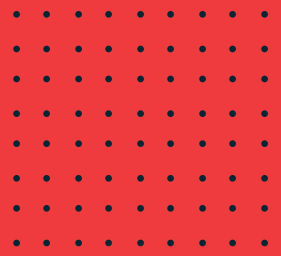
JURISDICTION & ARBITRATION: This agreement and the law regarding the interpretation and enforcement of this agreement shall be held in accordance to laws of the State of Colorado. Both parties to this agreement submit themselves to the jurisdiction of the State of Colorado. If a dispute arises regarding this purchase, invoice or any related subject or item between **BVM** and Buyer, both parties agree to submit themselves to final and binding arbitration according to the laws and interpretations of the State of Colorado and the American Arbitration Association in Denver, Colorado.

SEVERABILITY & WAIVER: The partial or complete invalidity of any one or more provisions of this agreement shall not affect the validity of continuing force and effect of any other provisions. The failure to either party hereto to insist, in any one or more instances, upon the performance of the terms, covenants or conditions of this agreement, or to exercise any right herein, shall not be construed as a waiver or relinquishment of such term, covenant, condition or right as with respect to further performance.

RETURNS: No materials purchased hereunder shall be returned without Return Materials Authorization Number [RMA] from our Quality Control Department. Standard restocking fee charge shall be 20% of the invoice price. All returns shall be freight prepaid unless otherwise approved. Equipment returned under warranty must be returned on a designated freight carrier of BVM.

WARRANTY: Equipment sold by **BVM Corporation Inc.** is warranted against manufacturer's defects for the period of 12 months from the first use or 18 months from original sale from **BVM** Corporation or their authorized reseller, whichever is less. If the equipment supplied fails to conform to specifications or is proven to be defective, **BVM** Corporation Inc. will issue a Return Material Authorization for goods to be returned for repair or replacement at our option, without cost to the original purchaser, or upon agreement of both parties, the repayment of the purchase price may be issued. This shall constitute Purchaser's sole and exclusive remedy. Purchaser will notify BVM Corporation in writing of any equipment which does not conform to specifications within 30 days of delivery or field failure. If purchaser fails to give proper notification the terms of this warranty may become null and void. € Goods may be returned at the expense of **BVM** Corporation Inc. only when an authorized RMA has been issued by **BVM** Corporation Quality Assurance Dept. If faulty equipment is received by **BVM** and it is found that the equipment has malfunctioned due to lack of maintenance or excessive wear and tear, purchaser will be billed for all shipping costs and any repairs agreed upon between **BVM** quality dept. and purchaser. **BVM** Corporation Inc. shall have no liability whatsoever for incidental or consequent damages, resulting from personal injury, property damage or shutdown due to product modification or unauthorized repairs. Purchaser hereby agrees to indemnify **BVM** Corporation Inc. from all liability arising from the purchaser's improper use or operation of equipment manufactured or sold by **BVM** Corporation Inc.





...

sales@bvmcorp.com

Denver 303 975 1402

—

International Sales 713 689 0879

Toll Free 877 975 1402

BVMCORP.COM

